



Pioneer 3 Operations Manual

with
MobileRobots Exclusive
Advanced Robot Control & Operations Software

© 2006 MobileRobots Inc. All rights reserved.

This document, as are the software described in it, is provided under license and may only be used or copied in accordance with the terms of the respective license.

Information in this document is subject to change without notice and should not be construed as a commitment by MobileRobots Inc.

The software on disk, CD-ROM and firmware which accompany the robot and are available for network download by MobileRobots customers are solely owned and copyrighted or licensed for use and distribution by MobileRobots Inc.

Developers and users are authorized by revocable license to develop and operate custom software for personal research and educational use only. Duplication, distribution, reverse-engineering or commercial application of MobileRobots software and hardware without license or the express written consent of MobileRobots Inc. is explicitly forbidden.

PeopleBot™, AmigoBot™, PowerBot™, PatrolBot™, ARCSinside™, SetNetGo™, MobilePlanner™, MobileSim™ and MobileEyes™ are trademarks of MobileRobots Inc. Other names and logos for companies and products mentioned or featured in this document are often registered trademarks or trademarks of their respective companies. Mention of any third-party hardware or software constitutes neither an endorsement nor a recommendation by MobileRobots Inc.

Important Safety Instructions

- ✓ Read the installation and operations instructions before using the equipment.
- ✓ Avoid using power extension cords.
- ✓ To prevent fire or shock hazard, do not expose the equipment to rain or moisture.
- ✓ Refrain from opening the unit or any of its accessories.
- ✓ Keep wheels away from long hair or fur.
- ✓ Never access the interior of the robot with charger attached or batteries inserted.

Inappropriate Operation

Inappropriate operation voids your warranty! Inappropriate operation includes, but is not limited to:

- ✓ Dropping the robot, running it off a ledge, or otherwise operating it in an irresponsible manner
- ✓ Overloading the robot above its payload capacity
- ✓ Getting the robot wet
- ✓ Continuing to run the robot after hair, yarn, string, or any other items have become wound around the robot's axles or wheels
- ✓ Opening the robot with charger attached and/or batteries inserted
- ✓ All other forms of inappropriate operation or care

Use MOBILEROBOTS authorized parts *ONLY*;
warranty void otherwise.

Table of Contents

Chapter 1 Introduction.....	1
ROBOT PACKAGES	1
<i>Basic Components (all shipments).....</i>	<i>1</i>
<i>Optional Components and Attachments (partial list).....</i>	<i>1</i>
<i>User-Supplied Components / System Requirements.....</i>	<i>2</i>
ADDITIONAL RESOURCES	2
Support Website	2
Newsgroups	2
Support.....	2
Chapter 2 What Is Pioneer?.....	3
PIONEER REFERENCE PLATFORM.....	3
PIONEER FAMILY OF ROBOT MICROCONTROLLERS AND OPERATIONS SOFTWARE	3
PORTS AND POWER.....	4
CLIENT SOFTWARE.....	4
ARIA.....	5
<i>SonARNL Localization, and Navigation.....</i>	<i>5</i>
MODES OF OPERATION	6
Server Mode.....	6
Maintenance and Standalone Modes.....	7
Joydrive Mode.....	7
THE PIONEER LEGACY	7
Pioneer AT.....	7
Pioneer 2™ and PeopleBot™.....	8
Pioneer 3™ and Recent Pioneer 2-DX8™, -AT8™, and Plus™ Mobile Robots.....	8
Pioneer 3™ SH Robots.....	8
Chapter 3 Specifications & Controls	9
PHYSICAL CHARACTERISTICS AND COMPONENTS	9
DECK.....	10
MOTOR STOP BUTTON.....	10
USER CONTROL PANEL.....	10
Power and Status Indicators.....	10
Buzzer.....	11
Serial Port.....	11
Power Switches.....	11
Reset and Motors	11
BODY, NOSE AND ACCESSORY PANELS.....	12
Nose	12
Access Panels.....	12
SONAR	12
Multiplexed Operation.....	12
Sensitivity Adjustment.....	13
MOTORS, WHEELS, AND POSITION ENCODERS	13
BATTERIES AND POWER.....	13
Battery Indicators and Low Voltage Conditions.....	14
Recharging.....	14
SAFETY ARCOS WATCHDOGS.....	14
Chapter 4 Accessories	15
JOYSTICK AND JOYDRIVE MODE	15
BUMPERS.....	15
AUTOMATED RECHARGING ACCESSORY.....	16
Manual Operation (Robot Power OFF)	16
Manual Operation (Robot Power and Systems ON)	16
RADIO CONTROLS AND ACCESSORIES	17

INTEGRATED PC	17
<i>Computer Control Panel</i>	18
<i>Operating the Onboard PC</i>	18
<i>PC Networking</i>	19
<i>UPS and Genpowerd</i>	20
Chapter 5 Quick Start.....	21
PREPARATIVE HARDWARE ASSEMBLY	21
<i>Install Batteries</i>	21
<i>Client-Server Communications</i>	21
DEMO CLIENT	21
STARTING UP ARIA DEMO	21
<i>Demo Startup Options</i>	22
<i>A Successful Connection</i>	22
OPERATING THE ARIA DEMONSTRATION CLIENT	23
DISCONNECTING	23
TROUBLESHOOTING	24
<i>Proper Connections</i>	24
Chapter 6 ARCOS.....	25
CLIENT-SERVER COMMUNICATION PACKET PROTOCOLS	25
<i>Packet Checksum</i>	26
<i>Packet Errors</i>	26
THE CLIENT-SERVER CONNECTION.....	27
<i>Autoconfiguration (SYNC2)</i>	27
<i>Opening the Servers—OPEN</i>	27
<i>Server Information Packets</i>	27
<i>Keeping the Beat—PULSE</i>	28
<i>Closing the Connection—CLOSE</i>	29
CLIENT COMMANDS.....	29
<i>Client Motion Commands</i>	31
ROBOTS IN MOTION	31
<i>PID Controls</i>	32
<i>Position Integration</i>	33
<i>DriftFactor, RevCount, and TicksMM</i>	33
SONAR.....	33
<i>Enable/Disabling Sonar</i>	33
<i>Polling Sequence</i>	34
<i>Polling Rate</i>	34
STALLS AND EMERGENCIES	34
ACCESSORY COMMANDS AND PACKETS.....	35
<i>Packet Processing</i>	35
<i>CONFIGpac and CONFIG Command</i>	35
SERIAL.....	36
<i>HOST-to-AUX Serial Transfers</i>	36
ENCODERS	37
BUZZER SOUNDS	37
TCM2	37
ONBOARD PC	38
INPUT OUTPUT (I/O)	38
<i>User I/O</i>	38
<i>IO packets</i>	39
<i>Bumper and IR I/O</i>	39
<i>Joystick Packet</i>	39
<i>Gripper</i>	40
<i>Heading Correction Gyro</i>	40
AUTOMATED RECHARGING SYSTEM.....	41
<i>Digital Port Controls</i>	41
<i>Automated Recharging Servers</i>	41
<i>Monitoring the Recharge Cycle</i>	42

Chapter 7 Updating & Reconfiguring ARCOS	43
WHERE TO GET ARCOS SOFTWARE	43
ARCOS MAINTENANCE MODE	43
<i>Enabling Maintenance Mode</i>	43
ARCOSCF	44
STARTING ARCOSCF	44
<i>Start Up Arguments</i>	44
CONFIGURING ARCOS PARAMETERS	45
<i>Interactive Commands</i>	45
<i>Changing Parameters</i>	45
SAVE YOUR WORK	45
PID PARAMETERS	47
DRIFTFACTOR, TICKSMM AND REVCOUNT	47
STALLVAL AND STALLCOUNT	48
BUMBERS.....	48
Chapter 8 Calibration & Maintenance	49
TIRE INFLATION	49
CALIBRATING YOUR ROBOT	49
DRIVE LUBRICATION	49
BATTERIES.....	50
<i>Changing Batteries</i>	50
<i>Hot-Swapping the Batteries</i>	50
<i>Charging the Batteries</i>	50
<i>Automated Docking/Charging System</i>	50
<i>Alternative Battery Chargers</i>	50
TIGHTENING THE AT DRIVE BELT	51
GETTING INSIDE	51
<i>Removing the Nose</i>	51
<i>Opening the Deck</i>	52
FACTORY REPAIRS	52
Appendix A	53
MICROCONTROLLER PORTS & CONNECTORS	53
SH2 MICROCONTROLLER.....	53
<i>Main Power</i>	53
<i>Serial Ports</i>	54
<i>User I/O, Gripper and Automated Recharger</i>	54
<i>Motors, Encoders and IRs</i>	55
<i>Joystick</i>	55
<i>Bumpers</i>	55
<i>Sonar</i>	55
<i>User Control Board</i>	56
<i>Heading Correction Gyro</i>	56
<i>Tilt/Roll</i>	56
<i>I²C</i>	56
Appendix B	57
MOTOR-POWER BOARD.....	57
<i>Microcontroller Power</i>	57
<i>Radio, Auxiliary and User Power Connectors</i>	57
<i>IR Signal and Power</i>	58
Appendix C	59
SPECIFICATIONS	59
Warranty & Liabilities	61

Chapter 1 Introduction

Congratulations on your purchase and welcome to the rapidly growing community of developers and enthusiasts of MOBILEROBOTS intelligent mobile platforms.

This *Pioneer 3-SH Operations Manual* provides both the general and technical details you need to operate your new Pioneer 3-DX or -AT robot and to begin developing your own robotics hardware and software.

For operation of previous versions of Pioneer 2 and 3 which use the Siemens C166- or Hitachi H8S-based robot microcontrollers, original motor-power boards and support systems, please contact sales@MobileRobots.com or access our support website: <http://robots.MobileRobots.com> for their related documentation.



Figure 1. The first Pioneer mobile robots appeared commercially in 1995.

ROBOT PACKAGES

Our experienced manufacturing staff put your mobile robot and accessories through a “burn in” period and carefully tested them before shipping the products to you. In addition to the companion resources listed above, we warrant your MOBILEROBOTS platform and our manufactured accessories against mechanical, electronic, and labor defects for one year. Third-party accessories are warranted by their manufacturers, typically for 90 days.

Even though we’ve made every effort to make your MOBILEROBOTS package complete, please check the components carefully after you unpack them from the shipping crate.

Basic Components (all shipments)

- ✓ One fully assembled Pioneer 3 mobile robot with battery
- ✓ CD-ROM containing licensed copies of MOBILEROBOTS software and documentation
- ✓ Hex wrenches and assorted replacement screws
- ✓ Replacement fuse(s)
- ✓ Set of manuals
- ✓ Registration and Account Sheet

Optional Components and Attachments (partial list)

- ✓ Battery charger (some contain power receptacle and 220VAC adapters)
- ✓ Automated recharge station
- ✓ Onboard PC computer and accessories
- ✓ Radio Ethernet
- ✓ Supplementary and replacement batteries
- ✓ 3-Battery Charge Station (110/220 VAC)
- ✓ Additional sonar arrays
- ✓ Laser range finder with Advanced Robotics Navigation and Localization (ARNL) software
- ✓ 2-DOF Gripper
- ✓ 5-DOF Pioneer Arm with gripper
- ✓ Advanced Color Tracking System (ACTS)
- ✓ Stereo Vision Systems
- ✓ Pan-Tilt-Zoom Surveillance Cameras
- ✓ Global Positioning System
- ✓ Heading-correction gyro
- ✓ Compass
- ✓ Bumper rings
- ✓ Serial cables for external connections
- ✓ Many more...

User-Supplied Components / System Requirements

- ✓ Client PC: 586-class or later PC with Microsoft® Windows® or Linux OS
- ✓ One RS-232 compatible serial port or Ethernet
- ✓ Four megabytes of available hard-disk storage

ADDITIONAL RESOURCES

New MOBILEROBOTS customers get three additional and valuable resources:

- ✓ A private account on our support Internet website for downloading software, updates, and manuals
- ✓ Access to private newsgroups
- ✓ Direct access to the MOBILEROBOTS technical support team

Support Website

We maintain a 24-hour, seven-day per week World Wide Web server where customers may obtain software and support materials:

<http://robots.mobilerobots.com>

Some areas of the website are restricted to licensed customers. To gain access, enter the username and password written on the *Registration & Account Sheet* that accompanied your robot.

Newsgroups

We maintain several email-based newsgroups through which robot owners share ideas, software, and questions about the robot. Visit the support <http://robots.MobileRobots.com> website for more details. To sign up for pioneer-users, for example, send an e-mail message to the `-requests` automated newsgroup server:

To: pioneer-users-requests@MobileRobots.com From: <your return e-mail address goes here> Subject: <choose one command:> help (returns instructions) lists (returns list of newsgroups) subscribe unsubscribe

Our e-mail list server will respond automatically. After you subscribe, e-mail your comments, suggestion, and questions intended for the worldwide community of Pioneer users:¹

To: pioneer-users@MobileRobots.com From: <your return e-mail address goes here> Subject: < something of interest to pioneer users >

Access to the `pioneer-users` e-mail newlist is limited to subscribers, so your address is safe from spam. However, the list currently is unmoderated, so please confine your comments and inquiries to issues concerning the operation and programming of MOBILEROBOTS platforms.

Support

Have a problem? Can't find the answer in this or any of the accompanying manuals? Or do you know a way that we might improve our robots? Share your thoughts and questions with us from the online form at the support website:

<http://robots.MobileRobots.com/techsupport>

or by email:

support@MobileRobots.com

¹ Note: Leave out the `-requests` part of the email address when sending messages to the newsgroup.

Please include your robot's **serial number** (look for it beside the Main Power switch)—we often need to understand your robot's configuration to best answer your question.

Tell us your robot's SERIAL NUMBER.

Your message goes directly to the MOBILEROBOTS technical support team. There a staff member will help you or point you to a place where you can find help.

Because this is a support option, not a general-interest newsgroup like `pioneer-users`, we reserve the option to reply only to questions about problems with your robot or software.

See Chapter 8, *Maintenance & Repair*, for more details.

**Use MOBILEROBOTS authorized parts ONLY;
warranty void otherwise.**

Chapter 2 **What Is Pioneer?**

Pioneer is a family of mobile robots, both two-wheel and four-wheel drive, including the Pioneer 1 and Pioneer AT, Pioneer 2-DX, -DXe, -DXf, -CE, -AT, the Pioneer 2-DX8/Dx8 *Plus* and -AT8/AT8 *Plus*, and the newest Pioneer 3-DX and -AT mobile robots. These small, research and development platforms share a common architecture and foundation software with all other MOBILEROBOTS platforms, including AmigoBot™, PeopleBot™ V1, Performance PeopleBot™ and PowerBot™ mobile robots.



Figure 2. Pioneer family of robots

PIONEER REFERENCE PLATFORM

MOBILEROBOTS platforms set the standards for intelligent mobile robots by containing all of the basic components for sensing and navigation in a real-world environment. They have become reference platforms in a wide variety of research projects, including several US Defense Advanced Research Projects Agency (DARPA) funded studies.

Every MOBILEROBOTS platform comes complete with a sturdy aluminum body, balanced drive system (two-wheel differential with casters or four-wheel skid-steer), reversible DC motors, motor-control and drive electronics, high-resolution motion encoders, and battery power, all managed by an onboard microcontroller and mobile-robot server software.

Besides the open-systems robot-control software onboard the robot microcontroller, every MOBILEROBOTS platform also comes with a host of advanced robot-control client software applications and applications-development environments. Software development includes our own foundation Advanced Robotics Interface for Applications (ARIA) and ARNetworking, released under the GNU Public License, and complete with fully documented C++, Java and Python libraries and source code. Several third-party robotics applications development environments also have emerged from the research community, including Saphira from SRI International, Ayllu from Brandeis University, Pyro from Bryn Mawr and Swarthmore Colleges, Player/Stage from the University of Southern California and Carmen from Carnegie-Mellon University.

PIONEER FAMILY OF ROBOT MICROCONTROLLERS AND OPERATIONS SOFTWARE

First introduced in 1995, the original Pioneer 1 mobile robot contained a microcontroller based on the Motorola 68HC11 microprocessor and powered by Pioneer Server Operating System (PSOS) firmware. The next generation of Pioneer 2 and PeopleBot (V1) robots used a Siemens C166-based

What is Pioneer?

microcontroller with Pioneer 2 Operating System (P2OS) software. AmigoBot introduced an Hitachi H8S-based microcontroller with AmigOS in 2000. From 2002 until Fall of 2004, Pioneer 3, Performance PeopleBot and PowerBot robots also had an Hitachi H8S-based microcontroller with ActivMedia Robotics Operating System (AROS) software.

Now all MOBILEROBOTS platforms use revolutionary high-performance microcontrollers with advanced embedded robot control software based on the new-generation 32-bit Renesas SH2-7144 RISC microprocessor, including the P3-SH microcontroller with ARCOS, μ ARCS with PatrolBot and our industrial Core and AmigoSH for AmigoBot.

But you might not even notice the differences. Because we have taken great care to ensure backward compatibility across ActivMedia Robotics/MOBILEROBOTS entire history of robots, client software written to operate an ancient PSOS-based Pioneer AT will work with a brand new Pioneer 3-DX with little or no modification. Client-server communication over a serial communication link remain identical as do support for all robotics commands.

See *Chapter 6, ARCOS*, for details.

PORTS AND POWER

Your new Pioneer 3 robot has a variety of expansion power and I/O ports for attachment and close integration of a client PC, sensors, and a variety of accessories—all accessible through a common application interface to the robot's server software, ARCOS. Features include:

- ✓ 44.2368 MHz Renesas SH2 32-bit RISC microprocessor with 32K RAM and 128K FLASH
- ✓ 4 RS-232 serial ports (5 connectors) configurable from 9.6 to 115.2 kilobaud
- ✓ 4 Sonar arrays of up to 8 sonar each
- ✓ 2 8-bit bumpers/digital input connectors
- ✓ Gripper/User I/O port with 8-bits digital I/O, analog input, and 5/12 VDC power
- ✓ Heading correction gyro port
- ✓ Tilt/roll sensor port
- ✓ 2-axis, 2-button joystick port
- ✓ User Control Panel
- ✓ Microcontroller HOST serial connector
- ✓ Main power and bi-color LED battery level indicators
- ✓ 2 AUX power switches (5 and 12 VDC) with related LED indicators
- ✓ RESET and MOTORS pushbutton controls
- ✓ Programmable piezo buzzer
- ✓ Motor/Power Board (drive system) interface with PWM and motor-direction control lines and 8-bits of digital input
- ✓ I²C interface with 4-line X 20-character LCD support

With the onboard PC option, your robot becomes an autonomous agent. With Ethernet-ready onboard autonomy, your robot even becomes an agent for multi-intelligence work.

CLIENT SOFTWARE

All MOBILEROBOTS platforms operate as the server in a client-server environment: Their microcontrollers handle the low-level details of mobile robotics, including maintaining the platform's drive speed and heading, acquiring sensor readings, such as from the sonar, and managing attached accessories like the Gripper. To complete the client-server architecture, MOBILEROBOTS platforms require a PC connection: software running on a computer connected with the robot's microcontroller via the HOST serial link and which provides the high-level, intelligent robot controls, including obstacle avoidance, path planning, features recognition, localization, navigation, and so on.

An important benefit of MOBILEROBOTS client-server architecture is that different robot servers can be run using the same high-level client. Several clients also may share responsibility for controlling a single mobile server, which permits experimentation in distributed communication, planning, and control.

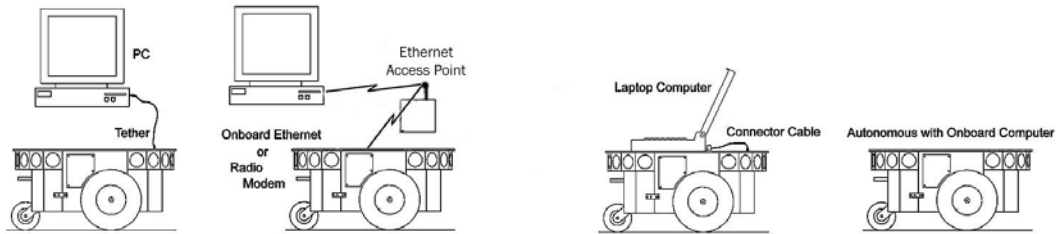


Figure 3. MobileRobots platforms require a PC to run client software for intelligent robotics command and control operations.

ARIA

Advanced Robotics Interface for Applications (ARIA) software, including ARNetworking, comes with every MOBILEROBOTS platform. ARIA is a C++-based open-source development environment that provides a robust client-side interface to a variety of intelligent robotics systems, including your robot’s microcontroller and accessory systems. ARNetworking provides the critical layer for TCP/IP-based communications with your MOBILEROBOTS platform over the network.

ARIA/ARNetworking is the ideal platform for integration of your own robot-control software, since they neatly handle the lowest-level details of client-server interactions, including networking and serial communications, command and server-information packet processing, cycle timing, and multithreading, as well as support of a variety of accessories and controls, such as a scanning laser-range finder, motion gyros, sonar, and many others.

What’s more, ARIA with ARNetworking comes complete with source code so that you may examine the software and modify it for your own sensors and applications.

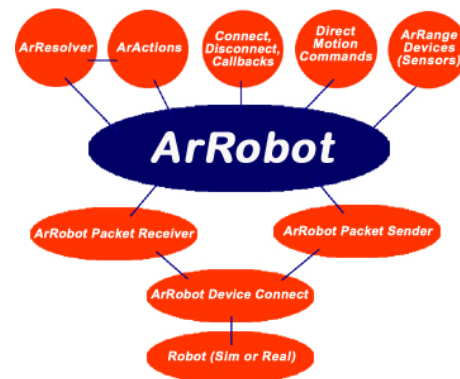


Figure 4. ARIA's architecture

SonARNL Localization, and Navigation

What is Pioneer?

MOBILEROBOTS also provides a comprehensive suite of client tools and applications by which you create, edit, and use maps and floorplans for advanced robotics applications, including sonar-based localization and navigation. Every MOBILEROBOTS platform comes with a basic suite of software, including ARIA with ArNetworking, MobileSim™, Mapper3-Basic, SonARNL and the GUI client MobileEyes™. For more information about these and our many commercial ventures, see the *SonARNL Manual*, visit <http://www.mobilerobots.com> and contact sales@mobilerobots.com.

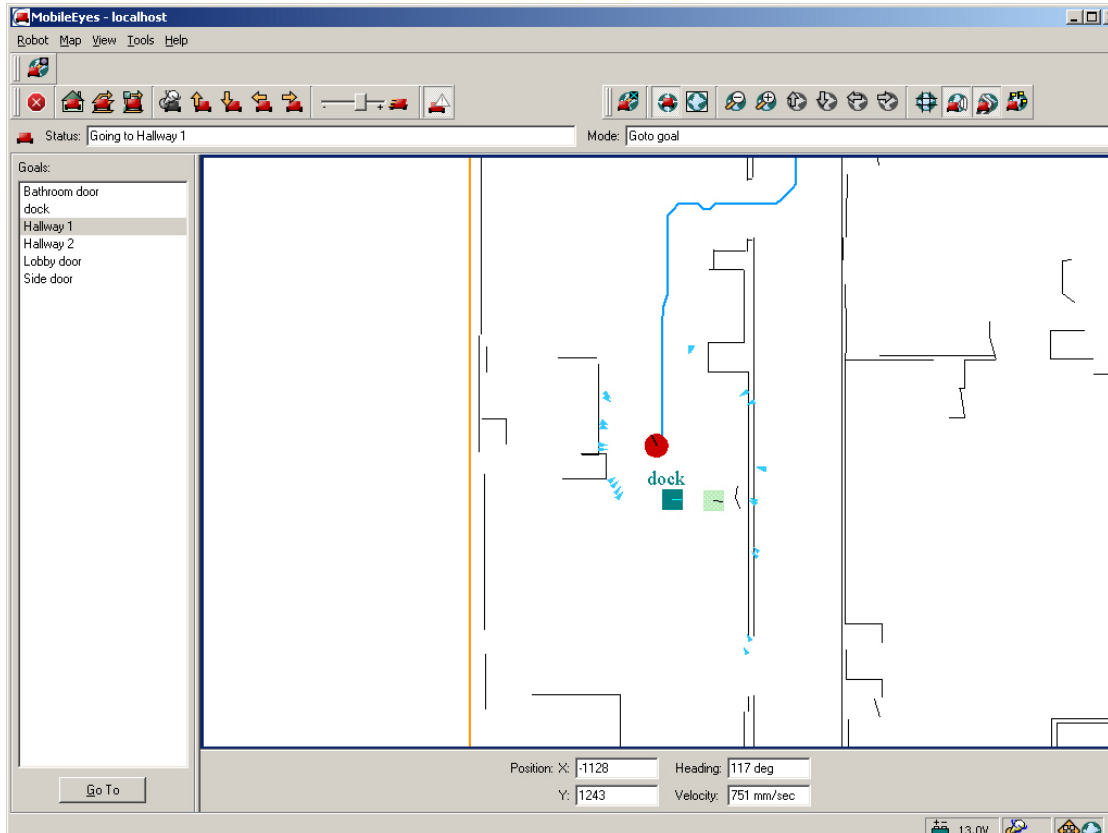


Figure 5. Use SonARNL and MobileEyes™ for advanced sonar-based navigation and control of your robot over the network.

MODES OF OPERATION

You may operate your Pioneer 3 robot in one of four modes:

- ✓ Server
- ✓ Joydrive
- ✓ Maintenance
- ✓ Standalone

Server Mode

The new Renesas SH2-based microcontroller comes with 128K of re-programmable FLASH and 32K dynamic RAM memory. We don't recommend that you start learning SH2 programming. Rather, the robot comes to you installed with the latest ARCOS firmware.

In conjunction with client software like ARIA running on an onboard or other user-supplied computer, ARCOS lets you take advantage of modern client-server and robot-control technologies to perform advanced mobile-robotics tasks. Most users run their robot in server mode because it gives them

quick, easy access to its robotics functionality while working with high-level software on a familiar host computer.

Maintenance and Standalone Modes

For experiments in microcontroller-level operation of your robot's functions, you may reprogram the onboard FLASH for direct and standalone operation of your robot. We supply the means to upload and debug (ARSHstub embedded GDB interface), but not the microcontroller's programming software, for you to work in standalone mode.

The utilities we provide for you to reprogram the SH2-based microcontroller's FLASH also may be used to update and upgrade your robot's ARCOS. In a special Maintenance Mode, you also adjust your robot's operating parameters that ARCOS uses as default values on startup or reset. See Chapter 7, *Updating & Reconfiguring ARCOS*, for much more detail.

We typically provide the maintenance utilities and ARCOS upgrades free for download from our website, so be sure to sign up for the `pioneer-users` email newsletter. That's where we notify our customers of the upgrades, as well as where we provide access to robot users worldwide.

Joydrive Mode

Finally, we provide onboard software and microcontroller hardware that let you drive the robot from a tethered joystick when not otherwise connected with a controlling client. See Chapter 4 for more details.

THE PIONEER LEGACY

Commercially introduced in the summer of 1995, Pioneer 1 was the original MobileRobots platform. Intended mostly for indoor use on hard, flat surfaces, the robot had solid rubber tires and a two-wheel differential, reversible drive system with a rear caster for balance. It came with a single-board 68HC11-based robot microcontroller and the Pioneer Server Operating System (PSOS) software. The Pioneer 1 also came standard with seven sonar range finders (two side-facing and five forward-facing) and integrated wheel encoders. Its low-cost and high-performance caused an explosion in the number of researchers and developers who now have access to a real, intelligent mobile robotic platform.

Software-wise, the Pioneer 1 initially served as a platform for SRI International's AI/fuzzy logic-based Saphira robotics applications development. But it wasn't long before Pioneer's open architecture became the popular platform for the development of a variety of alternative robotics software environments.

Pioneer AT

Functionally and programmatically identical to the Pioneer 1, the four-wheel drive, skid-steer Pioneer AT was introduced in the summer of 1997 for operation in uneven indoor and outdoor environments, including loose, rough terrain.

Except for the drive system, there were no operational differences between the Pioneer AT and the Pioneer 1: The integrated sonar arrays and microcontrollers were the same; they shared accessories; and applications developed for the Pioneer 1 worked with little or no porting on the AT.



Figure 6. Performance PeopleBot's attractive design and advanced technologies is for human-interaction applications.



Figure 7. The Pioneer 1 appeared in 1995.

Pioneer 2™ and PeopleBot™

The next generation of Pioneer, including the Pioneer 2-DX, -CE, and -AT that were introduced in fall of 1998 through summer of 1999, improved upon the Pioneer 1 legacy while retaining its many important advantages.² Indeed, in most respects particularly with applications software, Pioneer 2 worked identically to Pioneer 1 models, but offered many more expansion options, including a client PC onboard the robot.

The Pioneer 2 models -DX, -DE, -DXe, -DXf, and -AT, and the V1 and Performance PeopleBot robots used a 20-MHz Siemens 88C166-based microcontroller, with independent motor-power and sonar microcontroller boards for a versatile operating environment. Sporting a more holonomic body, larger wheels and stronger motors for better indoor performance, Pioneer 2-DX, -DXe, -DXf and -CE models were two-wheel, differential-drive mobile robots like Pioneer 1.

The four-wheel drive Pioneer 2-AT had independent motors and drivers. Unlike its Pioneer AT predecessor, the Pioneer 2-AT came with a stall-detection system and inflatable pneumatic tires with metal wheels for much more robust operation in rough terrain, as well as the ability to carry nearly 30 kilograms (66 lbs) of payload and climb a 60-percent grade.

Other Pioneer 2-like robots include the Performance PeopleBot robots, which were introduced in 2000. They are architecturally Pioneer 2 robots, but with stronger motors and integrated human-interaction features, including a pedestal extension, integrated voice and sound synthesis and recognition—ideal for human-interaction studies as well as for commercial and consumer mobile-robotics applications.

Pioneer 3™ and Recent Pioneer 2-DX8™, -AT8™, and Plus™ Mobile Robots

Two new models of Pioneer 2 appeared in the summer of 2002, two more at the beginning of 2003, and the Pioneer 3 debuted in the summer of 2003. All used a microcontroller based on the Hitachi H8S microprocessor, with new control systems software (AROS) and I/O expansion capabilities. The Pioneer 3 and 2-Plus robots also had new, more powerful motor/power systems for better navigational control and payload.³

Pioneer 3™ SH Robots

Hardware-wise, the latest Pioneer, Performance PeopleBot and PowerBot robots—all introduced in summer of 2004—are identical to their predecessors except for their revolutionary new Renesas SH2-based microcontroller. Software-wise, these new robots are fully compatible with all other MOBILEROBOTS platforms, including Pioneer 1. The new MOBILEROBOTS Advanced Robot Control & Operations Software (ARCOS) provides unprecedented performance and expansion, yet can interface and run client programs originally developed for Pioneer 1, 2, as well as 3 platforms. Of course, you will have to extend your old client software, as we have done with ARIA, in order to take full advantage of ARCOS.



Figure 8. PowerBot™ carries over 100 kg of payload.

² Price/performance ratio included! The much more capable and expandable Pioneer 2 was introduced four years later for just a few hundred dollars (US) more than the original Pioneer 1.

³ The interim Pioneer 2-DXf had the same, more-powerful motors as the DX8s and AT8 Plus.

Chapter 3 Specifications & Controls

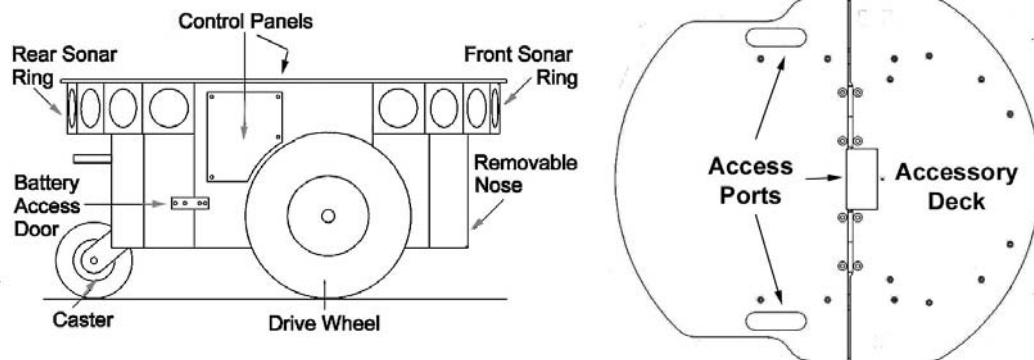


Figure 9. Pioneer 3-DX features

Pioneer robots may be smaller than most, but they pack an impressive array of intelligent mobile robot capabilities that rival bigger and much more expensive machines. The Pioneer 3-DX with onboard PC is a fully autonomous intelligent mobile robot. Unlike other commercially available robots, Pioneer's modest size lends itself very well to navigation in tight quarters and cluttered spaces, such as classrooms, laboratories, and small offices. With its powerful ARCOS server and advanced MOBILEROBOTS client software, the Pioneer 3 is fully capable of mapping its environment, finding its way home and performing other sophisticated path-planning tasks.⁴

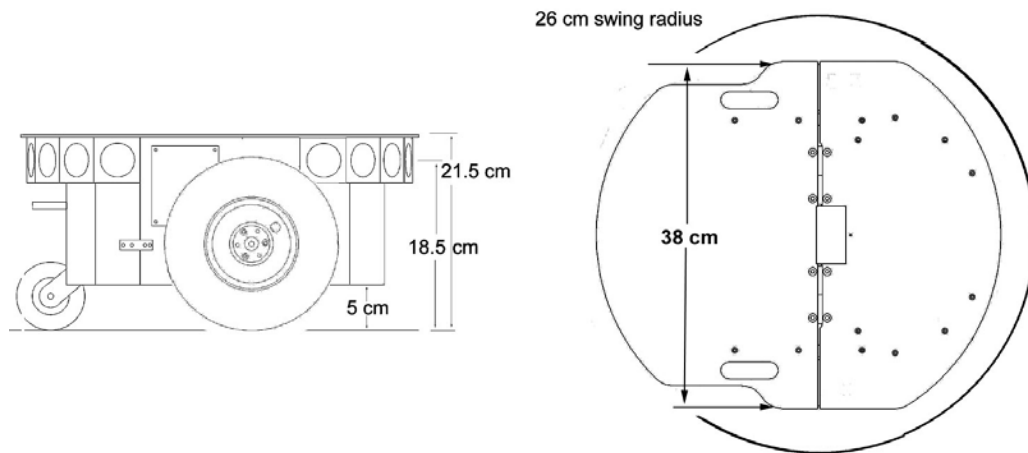


Figure 10. Pioneer 3-DX's physical dimensions and swing radius.

PHYSICAL CHARACTERISTICS AND COMPONENTS

Weighing only 9 kg (20 pounds with one battery), the basic Pioneer 3-DX mobile robots are lightweight, but their strong aluminum body and solid construction make them virtually indestructible.

⁴ Requires a laser range-finder accessory and special Advanced Robotics Navigation and Localization (ARNL) software.

These characteristics also permit them to carry extraordinary payloads: The Pioneer 3-DX can carry up to 23 Kg (50 lbs.) additional weight; the 3-AT can carry over 35 Kg (70 lbs.) more! Yet, Pioneer 3s are lightweight enough that it is also as easy to transport as a suitcase—a task made even easier by the DX's built-in handle.

Pioneer robots are composed of several main parts:

- ✓ Deck
- ✓ Motor Stop Button
- ✓ User Control Panel
- ✓ Body, Nose, and Accessory Panels
- ✓ Sonar Array(s)
- ✓ Motors, Wheels, and Encoders
- ✓ Batteries and Power

DECK

All Pioneer 3 models have hinged top-plates which give you much easier access to the internal components of the robot. See Chapter 8, *Calibration & Maintenance*, for access details.

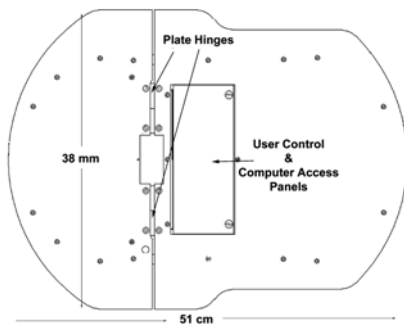


Figure 11. Pioneer 3-AT's console and hinged deck

The robot's deck is simply the flat surface for mounting projects and accessories, such as the PTZ Robotic Camera and a laser range finder. Feed-through slots on each side of the DX deck let you conveniently route cables to the accessory connectors on the side panels of the robot. A removable plug in the middle of the deck on all models gives you convenient access to the interior of the robot.

When mounting accessories, you should try to center the robot's payload over the drive wheels. If you must add a heavy accessory to the edge of the deck, counterbalance the weight with a heavy object on the opposite end. A full complement of batteries helps balance the robot, too.

MOTOR STOP BUTTON

All Pioneer 3-AT and, upon request, some Pioneer 3-DX robots have a `STOP` button at the rear of their deck. Press and release it to immediately disengage the robot's motor power. It will also cause a stall and can result in incessant beeping from the onboard piezo speaker (see *User Controls* below).

Press the `STOP` button in to re-engage motor power and stop that incessant beeping noise. Note that you may also have to re-enable the motors when connected with client software, either by manually pressing the `MOTORS` button on the User Control Panel, or through a special client command #4.

USER CONTROL PANEL

The User Control Panel is where you have access to the ARCOS-based onboard microcontroller. Found inside the AT's hinged access panel on the deck or on the left sidepanel of the DX, it consists of control buttons and indicators and an RS-232 compatible serial port (9-pin DSUB connector).

Power and Status Indicators

The red `PWR` LED is lit whenever main power is applied to the robot. The green `STAT` LED state depends on the operating mode and other conditions. It flashes slowly when the microcontroller is awaiting a connection with a client and flashes quickly when in joydrive mode or when connected with a client and the motors are engaged. It also flashes moderately fast when the microcontroller is in maintenance mode.

The `BATTERY` LED's apparent color depends on your robot's battery voltage: green when fully charged (>12.5 volts) through orange, and finally red when the voltage drops below 11.5. When in maintenance mode, the `BATTERY` LED glows bright red only, regardless of battery charge.

Buzzer

A built-in piezo buzzer (audible through the holes just above the `STAT` and `PWR` LEDs) provides audible clues to the robot's state, such as upon successful startup of the microcontroller and a client connection. An ARCOS client command lets you program the buzzer, too, to play your own MIDI sounds.

Serial Port

The `SERIAL` connector, with incoming and outgoing data indicator LEDs (`RX` and `TX`, respectively), is through where you may interact with the ARCOS microcontroller from an offboard computer for tethered client-server control and for microcontroller software maintenance. The port is shared internally by the `HOST` serial port, to which we connect the onboard computer or an Ethernet-to-serial device. Either the `SERIAL` or `HOST` connector may be used for client-server and maintenance mode communication with the microcontroller.

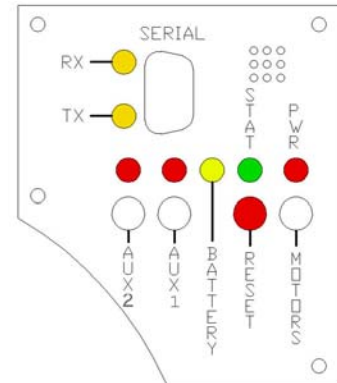


Figure 12. P3-DX User Control Panel

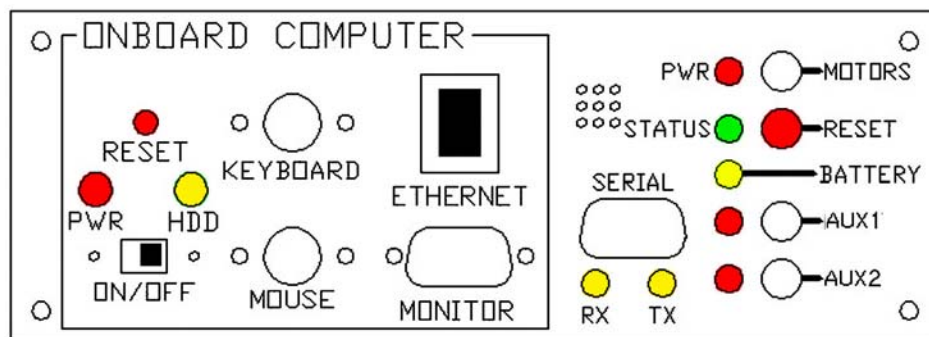


Figure 13. P3-AT computer and user controls

To avoid communication conflicts, digital switching circuitry disables the internal `HOST` serial port if the attached serial device hasn't opened the port. However, serial port interference will be a problem if the `HOST` and User Control `SERIAL` ports are both occupied and engaged. Accordingly, remove the cable from the User Control `SERIAL` port if you plan to connect with the microcontroller through the `HOST` port.

In particular, if you have a serial cable connected to the User Control Panel `SERIAL` port, with the attached PC has that serial port opened for communications, and you then reset or power up the robot and microcontroller, ARCOS automatically goes into maintenance mode.

Power Switches

The `AUX1` and `AUX2` switches on the User Control Panel are pushbuttons which engage or disengage power to 5 and 12 VDC connectors on the Motor-Power board to which we or you attach power for various accessories. For example, 12 VDC power for the PTZ camera typically gets switched via the `AUX1` pushbutton. See *Appendix B* for power connections. Respective red LEDs indicate when power is ON.

Reset and Motors

The red `RESET` pushbutton acts to unconditionally reset the microcontroller, disabling any active connections or attached devices, including the motors.

The white `MOTORS` pushbutton's actions depend on the state of the microcontroller. When connected with a client, push it to enable and disable the motors manually, as its label implies.⁵

To manually engage ARCOS maintenance mode, press and hold the white `MOTORS` button, press and release the red `RESET` button, then release `MOTORS`. Note that while this manual operation was required to engage maintenance mode with previous robot microcontrollers, it is no longer necessary with ARCOS.

BODY, NOSE AND ACCESSORY PANELS

Your Pioneer 3's sturdy, but lightweight aluminum body houses the batteries, drive motors, electronics and other common components, including the front and rear sonar arrays. The body also has sufficient room, with power and signal connectors, to support a variety of robotics accessories inside, including an A/V wireless surveillance system, radio Ethernet, onboard computer, laser range finder and more.

On all models except those outfitted with the docking-charging system, a hinged rear door gives you easy access to the batteries, which you may quickly hot-swap to refresh any of up to three batteries.

Nose

The nose is where we put the onboard PC. The nose is readily removable for access: Simply remove two screws from underneath the front sonar array. A third screw holds the nose to the bottom of the AT's body. The DX nose is hinged at the bottom.

Once the mounting screws are removed, simply pull the nose away from the body.⁶ This provides a quick and easy way to get to the accessory boards and disk drive of the onboard PC, as well as to the sonar gain adjustment for the front sonar array. The nose also is an ideal place for you to attach your own custom accessories and sensors.

Access Panels

All DX's come with a removable right-side panel through which you may install accessory connectors and controls. A special side panel comes with the onboard PC option, for example, which provides connectors for a monitor, keyboard, mouse and 10Base-T Ethernet, as well as the means to reset and switch power for the onboard computer.

AT's come with a single access panel in the deck. Fastened down with finger-tight screws, the User Control Panel and onboard computer controls are accessible beneath the hinged door.

All models come with an access port near the center of the deck through which to run cables to the internal components.

SONAR

Natively, ARCOS-based robots support up to four sonar arrays, each with up to eight transducers that provide object detection and range information for collision avoidance, features recognition, localization, and navigation. The sonar positions in all Pioneer 3 sonar arrays are fixed: one on each side, and six facing outward at 20-degree intervals. Together, fore and aft sonar arrays provide 360 degrees of nearly seamless sensing for the platform.

Multiplexed Operation

Each sonar array's transducers are multiplexed: Only one disc per array is active at a time, but all four arrays fire one transducer simultaneously. The sonar ranging acquisition rate is adjustable, normally set to 25 Hz (40 milliseconds per transducer per array). Sensitivity ranges from 10 centimeters (six inches) to over four meters, depending on the ranging rate. You may control the sonar's firing pattern

⁵ A client command lets you engage/disengage the motors programmatically. See chapter 6.

⁶ With older Pioneer 2 models, you also needed to remove the Gripper before removing the nose. With P3 models, the robot's nose and Gripper come off together, so you only need to remove the nose mounting screws.

through software, too; the default is left-to-right in sequence 0 to 7 for each array. See the ARCOS Chapters 6 and 7 for details.

Sensitivity Adjustment

The driver electronics for each array is calibrated at the factory. However, you may adjust the array's sensitivity and range to accommodate differing operating environments. The sonar gain control is on the underside of the sonar driver board, which is attached to the floor of each sonar module.

Sonar sensitivity adjustment controls are accessible directly, although you may need to remove the Gripper to access the front sonar, if you have that accessory attached. For the front sonar, for instance, locate a hole near the front underside of the array through which you can see the cap of the sonar-gain adjustment potentiometer. Using a small flat-blade screwdriver, turn the gain control counterclockwise to make the sonar less sensitive to external noise and false echoes.

Low sonar-gain settings reduce the robot's ability to see small objects. Under some circumstances, that is desirable. For instance, attenuate the sonar if you are operating in a noisy environment or on uneven or highly reflective floor—a heavy shag carpet, for example. If the sonar are too sensitive, they will “see” the carpet immediately ahead of the robot as an obstacle.

Increase the sensitivity of the sonar by turning the gain-adjustment screw clockwise, making them more likely to see small objects or objects at a greater distance. For instance, increase the gain if you are operating in a relatively quiet and open environment with a smooth floor surface.

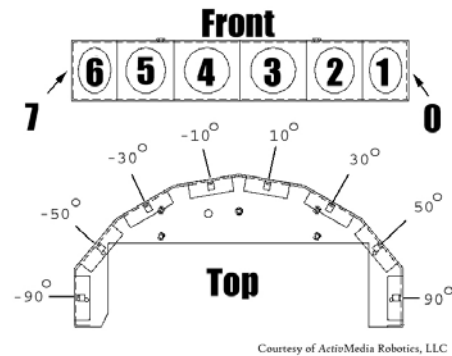


Figure 14. Pioneer 3 sonar array

MOTORS, WHEELS, AND POSITION ENCODERS

Pioneer 3 drive systems use high-speed, high-torque, reversible-DC motors, each equipped with a high-resolution optical quadrature shaft encoder for precise position and speed sensing and advanced dead-reckoning. Motor gearhead ratios, encoder ticks-per-revolution and tire sizes vary by robot model. However, ARCOS can correct for tire mismatches and convert most client commands and reported server information from platform-independent distance and heading units into platform-dependent encoder ticks, as expressed in the `DriftFactor`, `TicksMM` and `RevCount` FLASH parameters. Please read Chapter 6 for more details.

All Pioneer 3-DX robots come with foam-filled solid tires with knobby treads.⁷ Pioneer 3-AT tires are pneumatic so that you may configure your robot for differing terrains. In any configuration, be careful to inflate the 3-AT tires evenly and adjust the respective `DriftFactor`, `TicksMM` and `RevCount` FLASH parameters for proper operation. We ship Pioneer 3-AT's with the tires inflated to 23 psi each.

BATTERIES AND POWER

Except when the DX is outfitted with the auto-recharging system (see below), Pioneer 3 robots contain up to three, hot-swappable, seven ampere-hour, 12 volts direct-current (VDC), sealed lead/acid batteries (total of 252 watt-hours), accessible through a hinged and latched rear door. We provide a suction cup tool to help grab and slide each battery out of its bay. Spring contacts on the robot's battery power board alleviate the need for manually attaching and detaching power cables or connectors.

Balance the batteries in your robot.

Battery life, of course, depends on the configuration of accessories and motor activity. AT charge life typically ranges from two to three hours. The DX runs continuously for six hours or more; up to four

⁷ A ribbed-tread tire is available optionally. Contact ActivMedia sales for details.

hours with onboard computer. If you don't use the motors, your robot's microcontroller will run for several days on a single battery charge.

IMPORTANT: Batteries have a significant impact on the balance and operation of your robot. Under most conditions, we recommend operating with three batteries. Otherwise, a single battery should be mounted in the center, or two batteries inserted on each side of the battery container.

Battery Indicators and Low Voltage Conditions

The User Control Panel has a bi-color LED labeled `BATTERY` that visually indicates current battery voltage. From approximately 12.5 volts and above, the LED glows bright green. The LED turns progressively orange and then red as the voltage drops to approximately 11.5 volts.

Aurally, the User Control Panel's buzzer, if active (see the ARCOS `SoundTog` client command and `FLASH` parameter), will sound a repetitive alarm if the battery voltage drops consistently below the `FLASH LowBattery` (11.5 VDC, by default) level. If the battery voltage drops below the `FLASH ShutdownVolts` (11 VDC, by default) the microcontroller automatically shuts down a client connection and notifies the computer, via the `HOST RI` (ring indicator) pin, to shut down and thereby prevent data loss or systems corruption due to low batteries.

Recharging

Typical battery recharge time using the recommended accessory (800 mA) charger varies according to the discharge state; it is roughly equal to three hours per volt per battery. The Power Cube accessory allows simultaneous recharge of three swappable batteries outside the robot.

With the high-speed (4A maximum current) charger, recharge time is greatly reduced. It also supplies sufficient current to continuously operate the robot and onboard accessories, such as the onboard PC and radios. But with the higher-current charger, care must be taken to charge at least two batteries at once. A single battery may overcharge and thereby damage both itself and the robot.

The new automated recharging system is the best option. Because its integrated charge-management system has sufficient power and actively adjusts to system loads, it can run your DX's onboard systems while properly and optimally recharging its batteries. And because the charging mechanism may be operated independently of your robot's systems power, you may start up and shut down your robot and its onboard systems without disturbing the battery charging cycle.

All our recommended chargers are specifically designed for safe lead-acid battery recharging. Indicators on the module's face show fast-charge mode (typically an orange LED) in which the discharged batteries are given the maximal current, and trickle mode (green LED indicator), which the batteries are given only enough current to remain at full charge.

SAFETY ARCOS WATCHDOGS

ARCOS contains a communications `WatchDog` that will halt the robot's motion if communications between a PC client and the robot server are disrupted for a set time interval. The robot will automatically resume activity, including motion, as soon as communications are restored.

ARCOS also contains a stall monitor. If the drive exerts a PWM drive signal that equals or exceeds a configurable level (`StallVal`) and the wheels fail to turn, motor power is cut off for a configurable amount of time (`StallWait`). ARCOS also notifies the client which motor is stalled. When the `StallWait` time elapses, motor power automatically switches back on and motion continues under client control.

You may reconfigure the various FLASH-based parameter values to suit your application. See Chapter 7, *Updating & Reconfiguring ARCOS*, for details.

Chapter 4 Accessories

Pioneer 3 robots have many accessory options. For convenience, we include a description of the more commonly integrated accessories in this document. Please also refer to the detailed documents that come with the accessory.

JOYSTICK AND JOYDRIVE MODE

Although not all models come standard with an exposed joystick connector, your Pioneer 3 robot's microcontroller has a joystick port and ARCOS contains a `JoyDrive` server for manual operation.⁸

Start driving your robot with a joystick any time when it is not connected with a client software program. Simply plug it into the joystick port and press the “fire” button to engage the motors.

To drive your robot with a joystick while it is connected with an ARIA client (overrides client-based drive commands for manual operation), you must have the client software send the ARCOS command #47 with an integer argument of one to enable the ARCOS joystick servers. Have your client send the ARCOS `JoyDrive` command #47 with an integer argument of zero to disable the joystick drive override.

The joystick's fire button acts as the “deadman”—press it to start driving; release it to stop the robot's motors. The robot should drive forward and reverse, and turn left or right in response and at speeds relative to the joystick's position.

While driving forward, pull back on the joystick into full-reverse to decelerate faster than normal.

When not connected with a client control program, releasing the joystick fire button stops the robot. However when connected with a client, the client program resumes automatic operation of your robot's drive system. So, for example, your robot may speed up or slow down and turn, depending on the actions of your client program.

You may adjust the maximum translation and rotation speeds and even disable JoyDrive mode, through special ARCOS FLASH configuration parameters. See Chapter 7, *Updating & Reconfiguring ARCOS*, for details.

BUMPERS

Bump rings fore and aft provide contact sensing for when other sensing has failed to detect an obstacle. The accessory rings also are segmented for contact positioning.

Electronically and programmatically, the bumpers trigger digital events which are reflected in the `STALL` values of the standard server-information packet that ARCOS automatically sends to a connected client. Your client also may request a special `IOpac` server information packet that contains additional, more-detailed bumper, stall, and other I/O related information.

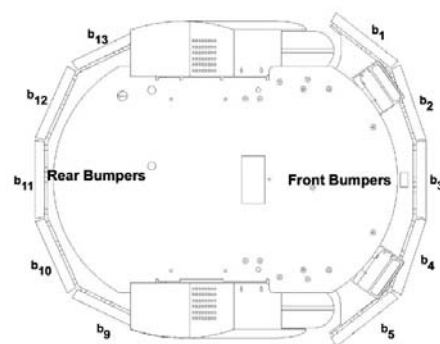


Figure 15. Pioneer 3 bumpers and associated STALL bits

Your robot may not move if you unplug one or both bumpers.

⁸ A joystick adaptor kit for older DXs is available for a nominal fee through sales@MobileRobots.com. Also note that this port is different than the USB-based joystick port found on the back of the laser mounting bracket.

ARCOS itself monitors and responds to protection triggers. For example, ARCOS' `bumpStall` server triggers a stall in the robot whenever one or more bumper segments get triggered while the robot is moving in the same direction (front forward or rear reverse). Please consult the *Appendix A* for interface details and the chapters on ARCOS, particularly the section which describes the contents of the `IOpac` server information packet, later in this manual for configuration and programming details.

AUTOMATED RECHARGING ACCESSORY

The Pioneer 3-DX automated recharging accessory⁹ is both a manual and an automated mechanism. Onboard controls, triggered either by the `DEPLOY CHARGER` button near the manual `CHARGE` port or by ARCOS-mediated client commands, deploy actuated contacts on the bottom of the robot, which in turn seat onto the power platform. Then, when activated by an IR-based, unique frequency-modulated signal from the robot, the power platform delivers up to 17 VDC @ 11.5 A to its plates.

While connected, onboard circuitry conditions the power to optimally charge the robot's three 7-Ahr, 12 VDC lead-acid batteries (6A charging current max) and provides sufficient power (up to 5.5 A) for operation of its onboard systems.

Manual Operation (Robot Power OFF)

With `MAIN POWER` off, place the robot over the power platform so that its charging contacts are perpendicular to and, when deployed, contact the charger plates. Note that no charging power is applied to the plates on the platform; only low signal (5VDC @ <300mA) power for the IR detectors.

Press and hold the `DEPLOY CHARGER` button to manually deploy the power-contact mechanism on the bottom of the robot. Hold for a few seconds, but not more than 10 seconds. Charging is activated by positive contact with the power platform. In that case, the charge lamp on the power unit will light and the robot's contacts will remain deployed when you release the `DEPLOY CHARGER` button. Otherwise, the mechanism will retract. In that case, re-position the robot and try again.

The robot's power-contact mechanism automatically retracts if you press the `DEPLOY CHARGER` button while charging, if you move the robot on the power platform and lose positive charging contact, or if you remove power from the power unit. In all cases, charging power is removed immediately from the power platform when not actively engaged by the robot.

Manual Operation (Robot Power and Systems ON)

Because the automated recharging system's integrated circuitry actively adjusts to system loads, it can run your robot's onboard systems while properly and optimally recharging its batteries. And because the charging mechanism may be operated independently of your robot's systems power, you may start up and shut down your robot and its onboard systems without disturbing the battery charging cycle, if engaged.

For example, with `MAIN POWER` on, use JoyStick mode to position the robot onto the power platform. Then manually deploy the power-contact mechanism as described in the section above. Thereafter, switch `MAIN POWER` off, or conversely, start up and shut down other onboard systems, including the PC, camera, laser and other accessories, to proceed with development work without disturbing battery recharging.

The same conditions apply to remove power and retract the robot's power-contact mechanism with the robot's `MAIN POWER` on as well as off. Since the ARCOS microcontroller always is active while the robot's power is on, you also may connect and disconnect a client program, run in maintenance mode, or engage JoyDrive mode. However, engaging the motors, such as when you press the "fire" button on the joystick, immediately and automatically removes charging power and retracts the power-contact mechanism. And the mechanism will not activate manually via the `DEPLOY CHARGER` button until you disengage the motors.

⁹ The power-contact mechanism and onboard power conditioning circuitry can be retrofitted to all Pioneer 3 and some Pioneer 2 and Performance PeopleBot robots. All require return to the factory.

RADIO CONTROLS AND ACCESSORIES

All MOBILEROBOTS platforms are servers in a client-server architecture. You supply the client computer to run your intelligent mobile-robot applications. The client can be either an onboard piggy-back laptop or embedded PC, or an off-board PC connected through radio modems or wireless serial Ethernet. In all cases, that client PC must connect to the internal `HOST` or User Control Panel `SERIAL` port in order for the robot and your software to work.

For the piggyback laptop or embedded PC, the serial connection is via a common “pass-through” serial cable. Radio modems may replace that serial cable with a wireless tether. Accordingly, if you have radio modems, one is inside your robot and connected to the microcontroller’s `HOST` serial port, and the other modem plugs into a serial port on some offboard computer where you run your client software.¹⁰ Hence, in these configurations, there is one dedicated client computer.

Radio Ethernet is a little more complicated, but is the preferred method because it lets you use many different computers on the network to become the robot’s client. If you have a PC onboard (either

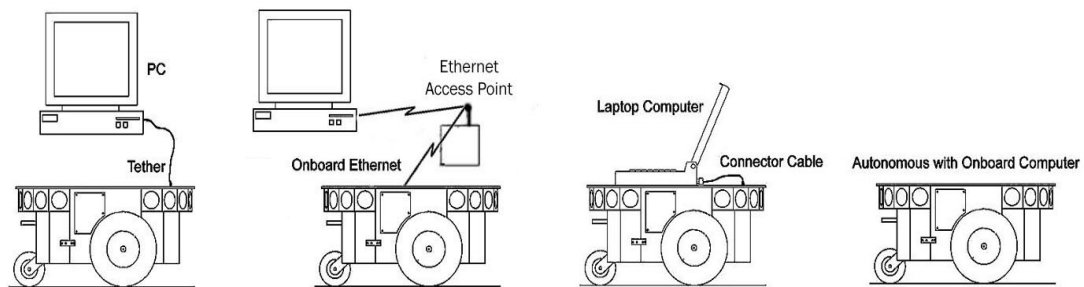


Figure 16. Client-server connection options.

integrated or piggyback), it can supply the radio Ethernet connection through a PCMCIA-based wireless Ethernet card.

We also provide a wireless Ethernet-to-serial accessory which connects directly to your robot’s microcontroller. It works by automatically translating network-based Ethernet packet communications into streaming serial for the robot microcontroller and back again.

Running your robot through wireless Ethernet to an onboard computer is different than with the Ethernet-to-serial device. In the first case, you run your robot client software on the onboard PC and use wireless Ethernet to monitor and control that PC’s operation. In the latter case, you run the client software on a remote LAN-based PC.

Accordingly, a major disadvantage of the wireless Ethernet-to-serial device is that it requires a consistent wireless connection with the robot. Disruption of the radio signal—a common occurrence in even the most modern installations—leads to poor robot performance and very short ranges of operation.

This is why we recommend onboard client PCs for wider, much more robust areas of autonomous operation, particularly when equipped with their own wireless Ethernet. In this configuration, you run the client software and its interactions with the robot microcontroller locally and simply rely on the wireless connection to export and operate the client controls. Moreover, the onboard PC is often needed for local processing, such as to support a laser range finder or to capture and process live video for vision work.

INTEGRATED PC

Mounted just behind the nose of the robot, the Pioneer 3 integrated PC is a common EBX form-factor board that comes with up to four serial ports, 10/100Base-T Ethernet, monitor, keyboard and mouse ports, two USB ports and support for floppy, as well as IDE hard-disk drives. For additional functionality, such as for sound, video framegrabbing, firewire or PCMCIA bus and wireless Ethernet,

¹⁰ We no longer offer a radio modem accessory.

the onboard PC accepts PC104 and PC104-plus (PCI bus-enabled) interface cards that stack on the motherboard.

Necessary 5 VDC power comes from a dedicated DC:DC converter, mounted nearby. A hard-disk drive is specially shock-mounted to the robot's nose, inbetween a cooling fan and computer speaker.

The onboard PC communicates with the robot's microcontroller through its HOST serial port and the dedicated serial port COM1 under Windows or /dev/ttyS0 on Linux systems. The microcontroller automatically switches in that HOST-to-PC connection when PC-based client software opens the serial port. Otherwise, the PC doesn't interfere with externally connected clients through the shared SERIAL port on the User Control Panel.

Note also that some signals on the microcontroller's HOST serial port as connected with the onboard PC or other accessory can be used for automated PC shutdown or other utilities: Pin 4 (DSR) is RS-232 high when the microcontroller operates normally; otherwise it is low when reset or in maintenance mode. Similarly, pin 9 (RI) normally is low and goes RS-232 high when the robot's batteries drop below a set (FLASH ShutdownVolts parameter) voltage level.

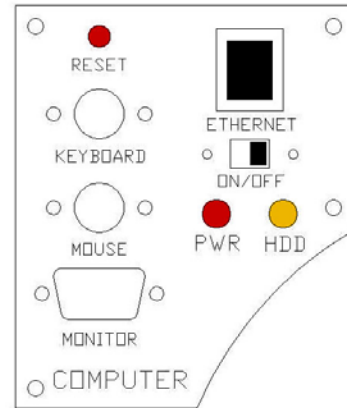


Figure 17. DX computer control side panel

Computer Control Panel

User-accessible communication and control port connectors, switches and indicators for the onboard PC are on the Computer Control Panel, found on the right side panel of the DX or in the hinged control well next to the user controls of the AT. The controls and ports use common connectors: standard monitor DSUB and PS/2 connectors on the mouse and keyboard. The Ethernet is a 10/100Base-T standard RJ-45 socket.

The ON/OFF slide switch directly controls power to the onboard PC—through Main Power, unlike some earlier versions of the onboard system which included a delayed power shutdown. The PWR LED lights when the computer has power.

The HDD LED lights when the onboard hard-disk drive is active. The RESET button restarts the PC.

Operating the Onboard PC

This is a brief overview of operating the onboard PC. Please consult the *Computer Systems Documentation* and the OS manufacturer's documentation for more detail. MOBILEROBOTS software runs on either Windows or RedHat or Debian Linux.¹¹ Accordingly, we prefer and support those operating systems on the onboard PC.

When we perform the installation and configuration, we install our robotics and accessory software typically in /usr/local on Linux systems or in C:\Program Files\MobileRobots under Windows. Of course, we install the appropriate drivers for the various accessory expansion cards, such as for a framegrabber or sound card. Please consult the respective MOBILEROBOTS application software manual, such as the Advanced Color Tracking System (ACTS) for the video framegrabber.

The first time you access the onboard PC, we recommend that you put the robot up on blocks so that it cannot inadvertently move and wreak havoc with external connections. Attach a keyboard, monitor, and mouse to their respective sockets on the Computer Control Panel. Switch Main Power and then the computer power switch ON.

After boot up, log in to the system. We've already created two users: one with common systems and file read/write permissions ('guest') and one with full-access to the PC software and OS—root (Linux) or 'administrator' (Windows). If there is a password (usually not), it's 'mobilerobots'.

¹¹ Though we don't support it today, our software typically compiles and runs on MAC OS with minor modifications.

When connected directly, we recommend you log in with full-access capabilities so that you can do systems set up and maintenance, such as change passwords, add users and set up the network. Do note that with Linux systems, you cannot log in remotely over the network as `root`; you must log in as a common user and use the `'su -'` command thereafter to attain superuser (`'root'` login) status.

Once logged into a Windows system, it's simply a matter of clicking the mouse to select programs and applications. With Linux, use the `'startx'` command to enable the X-Windows desktop and GUI environment, only as needed. You might perform some of the *Quick Start* activities this way, although motion is impractical because of the monitor, mouse and keyboard tethers. You may remove these while the system is active at your own risk.

Rather, we suggest that you run the *Quick Start* activities from an offboard computer first (onboard PC off) and then tackle the networking issues to establish a remote, preferably wireless connection with your robot.

PC Networking

The RJ-45 connector on the Computer Control Panel provides wired 10/100Base-T Ethernet networking directly with the onboard PC. With the purchased option, we also install a PCMCIA adaptor card on the PC's accessory stack and insert a wireless Ethernet card in one of its slots. The wireless Ethernet antenna sits atop the robot's deck.

To complete the wireless installation, you will need to provide an Access Point to your LAN (comes as an accessory with most units). Attach the Access Point to one of your LAN hubs or switches. No special configuration is required. We use the default operating mode: `'managed'` client-server.

We ship installed PC systems' preset and tested at a fixed IP address with Class-C network configuration. We allocate the same IP to both the wired and wireless Ethernet ports, typically 192.168.1.32. Although you need not fuss with drivers or low-level device settings, before you may establish a network connection with the onboard PC (*not* the robot's microcontroller!), even if just through a "cross-over" Ethernet cable to another PC, you'll need to reconfigure the robot's PC network settings. Please consult with your network systems administrator for networking details.

Briefly, with Windows go to the Control Panel's `Network and Dial-up Connections` wizard and choose the networking device's `Properties` to change the IP address and other details. Under Linux there are similar, GUI-based tools with X-Windows to help you set up the network, such as `netcfg`, but we prefer to edit (`emacs` or `vi`) the salient network settings in `/etc/sysconfig/network` and in the specific device configuration files found in `/etc/sysconfig/network-scripts/`, such as `ifcfg-eth0` (wired Ethernet) and `ifcfg-eth1` or `ifcfg-wvlan0` (wireless).

From Windows, use the Control Panel `Network and Dial-up Connections` tool to enable or disable a particular device. From Linux, use `ifup` and `ifdown` to enable or disable an Ethernet device. For example as superuser, type `'ifdown eth0; ifup eth1'` to switch from a tethered to a wireless Ethernet connection.

For remote connections over Ethernet to your onboard PC, simply use `telnet` or the more secure `ssh` to log in to your Linux system. Allow X-windows server connections at your remote PC (`xhost`) if you plan to export the X-Windows display from the robot PC for remote GUI-based controls (`export DISPLAY=remote's hostname or IP:0`, for example).

With Windows, you will need a special remote-control application to establish a GUI-based connection from a remote computer to the onboard PC over the network; `VNCserver`, for example, or `XWin32`.

Please note that, with the onboard PC and wireless Ethernet, as opposed to the wireless Ethernet-to-serial device, you may **not** connect with the robot's microcontroller directly over the network: That is, you cannot run a client application like the `ARIA demo` on a remote PC and choose to directly connect with the robot server by selecting the robot PC's IP address. Rather, either run the client application on the onboard PC and export the display and controls over the network to the remote PC (preferred), or use the `ARIA`-based `IPTHRU` programs (see program sources in `Aria/examples`) to negotiate the IP-to-serial conversions needed by the client-server connection.

UPS and Genpowerd

To protect your robot's onboard PC data, we've enabled a detection scheme in ARCOS and UPS-like software on the PC that invoke shutdown of the operating system in the event of a persistent low-battery condition.¹²

ARCOS raises the HOST serial port's DSR pin 6 to RS-232 high and puts the RI pin 9 to low when the microcontroller is operating normally and your robot's battery power is above the FLASH-parameter set `ShutdownVolts` value, which default is 11 VDC.¹³ The RI pin goes high when power drops consistently below `ShutdownVolts`. *Genpowerd* running on the onboard Linux system or *ups.exe* running under Windows, detects the change of state and initiates OS shutdown after a short wait, during which the shutdown may be canceled by raising the battery voltage, such as by attaching a charger.

Genpowerd monitors the HOST serial RI port on `/dev/ttyS0`. Windows' *ups.exe* requires a dedicated serial port—COM2 on current systems, and prefers to monitor the CTS line. Consequently, we wire the onboard PC serial connector differently for Linux versus Windows PCs. Please consult the ARCOS Chapters 6 and 7 for more details.

¹² The original Pioneer 2 Motor-Power boards implemented a similar strategy in hardware.

¹³ RI and DSR on the HOST serial port are RS-232 low during reset or when the controller is in Maintenance Mode.

Chapter 5 Quick Start

PREPARATIVE HARDWARE ASSEMBLY

Your Pioneer 3 robot comes fully assembled and ready for out-of-the-box operation. However, you may need to attach some accessories that were shipped separately for safety. The procedures we describe herein are for control of the basic robot.

If you have the onboard PC option, we recommend that you leave it off and perform the following tests first with a laptop or desktop computer tethered to the SERIAL port on the User Control Panel, then attack the many networking issues before you establish a remote-control connection with the onboard PC.

CAREFUL

Slide the batteries into the robot TERMINALS LAST.
Otherwise, you will damage the robot.

Install Batteries

Out of the box, your Pioneer 3 robot comes with its batteries fully charged, although shipped separately, unless you have the special automated recharging system. Slide at least one and up to three batteries into the robot's battery box through the back door. Balance them: one in the center; if two, then one on each side.

Client-Server Communications

Your robot requires a serial communication link with a client PC for operation. The serial link may be:

- ✓ A tether cable from the robot's 9-pin serial connector on the User Control Panel to a computer
- ✓ A piggyback laptop cabled to the User Control Panel serial port
- ✓ Serial Ethernet
- ✓ Radio Modem
- ✓ An integrated onboard PC wired internally for direct onboard control

DEMO CLIENT

MOBILEROBOTS' robot-client software-development environments comes with many demonstration software. ARIA's best is demo since it also serves as a way to test all your robot's features and accessories.

MOBILEROBOTS also comes with sonar-based advanced robotics localization and navigation software (SonARNL) including a GUI networked-client application, MobileEyes, on CD-ROM. MOBILEROBOTS customers also may obtain these and related software and updates from our support website:

<http://robots.MobileRobots.com>

Please consult the separate *SonARNL Installation and Operations Manual* for details.

STARTING UP ARIA DEMO

ARIA's examples are text-based terminal-like applications that do not include a GUI, so its programs do not require X-Windows over Linux or special software on a remote PC client—a simple `telnet` session will do the trick.

First, please note well that you cannot connect with and control your robot through its microcontroller directly from a remote client over the network without special hardware (wireless Ethernet-to-serial device) or, alternatively, special software that runs on the onboard computer and converts IP packets into serial data.¹⁴ Otherwise, you must run the client software on the robot's PC or on a PC that is connected to the robot's microcontroller `HOST` or User Control Panel `SERIAL` port. You may, of course, export the controls and display of your onboard PC over the network from X-windows or with special Windows software, such as VNCserver.

If you are using a wireless Ethernet-to-serial device to communicate with the robot's microcontroller from a desktop PC, now is a good time to power up the unit. The `AUX1` power switch for the integrated radio is on the User Control Panel. You might test your connection, too—either peer-to-peer or through an access point on your LAN—from your PC to the radio Ethernet installed in your robot with the common `ping` program.

Windows users may select the `ARIA demo` from the `Start` menu, in the `MobileRobots` program group. Otherwise, start it from the `ARIA bin\` directory.

Linux users will find the compiled `demo` in `/usr/local/Aria/bin/` or in `examples/`. Start it:

```
% ./demo
```

Demo Startup Options

By default, the `ARIA demo` program connects with the robot through the serial port `COM1` under Windows or `/dev/ttyS0` under Linux. And, by default, `demo` connects with an attached laser rangefinder accessory through serial port `COM3` or `/dev/ttyS2`. To change those connection options, either modify the `ARIA` source code (`examples/demo.cpp` and related files in `src/`) and recompile the application, or use a startup argument on the command line (Table 1).

For example, from the Windows `Start:Run` dialog, choose `Browse...` and select the `ARIA demo` program: `C:\Program Files\MobileRobots\ARIA\bin\demo.exe`. Then, type a command line argument at the end of the text in the `Run` dialog. To connect through the Ethernet-to-serial radio device over the wireless network, for example, try the command:

```
C:\Program Files\MobileRobots\ARIA\bin\demo.exe -remoteHost 192.168.1.32
```

Table 1. *ARIA demo's robot connection start-up options*

<code>-remoteHost <Host Name or IP></code> (abbreviated <code>-rh</code>)	Connect with robot through a remote host over the network instead of a serial port; requires special serial Ethernet hardware or <code>IPTHRU</code> software mediation.
<code>-robotPort <Serial Port></code> (abbreviated <code>-rp</code>)	Connect with robot through specified serial port name; <code>COM3</code> , for example. <code>COM1</code> or <code>/dev/ttyS0</code> is the default.
<code>-robotBaud <baudrate></code> (abbreviated <code>-rb</code>)	Connect with robot using the specified baudrate; 19200 or 38400, for example. Default is 9600.
<code>-remoteRobotTcpPort <Number></code> (abbreviated <code>-rrtp</code>)	Remote TCP host-to-robot connection port number; default is 8101.

A Successful Connection

`ARIA` prints out lots of diagnostic text as it negotiates a connection with the robot. If successful, the client requests various `ARCOS` servers to start their activities, including sonar polling, position integration and so on. The microcontroller sounds an audible connection cue and you should hear the robot's sonar ping with a distinctive and repetitive clicking. In addition, the motors-associated `STATUS` LED on the User Control Panel should flash very fast (was flashing slowly while awaiting connection). Note that the `ARIA demo` automatically engages your robot's motors though a special client command. Normally, the motors are disengaged when first connecting.

¹⁴ Look in the `ARIA/examples` directory for a program called `ipthru`. It converts IP to serial and back again for remote-control clients connected through the onboard PC.

The amber SERIAL port indicator LEDs on the robot's User Control Panel should blink to indicate ARIA-client to ARCOS-server communications, too.

OPERATING THE ARIA DEMONSTRATION CLIENT

When connected with the ARIA demo client, your robot becomes responsive and intelligent. For example, it moves cautiously. Although it may drive toward an obstacle, your robot will not crash because the ARIA demo includes obstacle-avoidance behaviors which enable the robot to detect and actively avoid collisions.

The ARIA demo displays a menu of robot operation options. The default mode of operation is `teleop`. In `teleop` mode, you drive the robot manually, using the arrow keys on your keyboard or a joystick connected to the client PC's joystick port (as opposed to a joystick port on the robot).

Table 2. Keyboard teleoperation

KEY	ACTION
↑	forward
↓	reverse
←	turn left
→	turn right
space	all stop

Table 2. ARIA demo operation modes

MODE	HOT KEY	DESCRIPTION
laser	l	Displays the closest and furthest readings from the laser range finder
io	i	Displays the digital and analog-to-digital I/O ports
position	p	Displays the coordinates of the robot's position relative to its starting location
bumps	b	Displays bumpers status
sonar	s	Displays the sonar readings
camera	c	Controls and exercises the pan-tilt-zoom robotic camera
gripper	g	Controls, exercises and displays status of the Gripper accessory
wander	w	Sends the robot to move around at its own whim while avoiding obstacles
teleop	t	Drive and steer the robot via the keyboard or a joystick; avoids collisions
unguarded	u	Same as teleop, except no collision avoidance
direct	d	Direct command mode

While driving from the keyboard, hold down the respective keys to simultaneously drive the robot forward or backward and turn right or left. For instance, hold down the up-arrow key to have the robot accelerate forward to its cruising speed of around 400 millimeters per second (defined in the source code). Release the arrow key to have the robot slow down and stop. Press and hold the right- or left-arrow key to have the robot rotate or turn in an arc if you also hold down the up- or down-arrow key.

The other modes of ARIA demo operation give you access to your robot's various sensors and accessories, including encoders, sonar, laser, Gripper, a pan-tilt-zoom robotic camera, I/O port states, bumpers and more. Accordingly, use the ARIA demo not only as a demonstration tool, but as a diagnostic one, as

well, if you suspect a sensor or effector has failed or is working poorly. The demo also is useful for calibrating your robot's drive system.

Access each ARIA demo mode by pressing its related hot-key: 't', for instance, to select teleoperation. Each mode includes onscreen instructions and may have sub-menus for operating of the respective device.

DISCONNECTING

When you finish, press the `Esc` key to disconnect the ARIA client from your robot server and exit the ARIA demonstration program. Your robot should disengage its drive motors and stop moving, and its sonar should stop firing. You may now slide the robot's Main Power switch to OFF.

TROUBLESHOOTING

Most problems occur when attempting to connect the ARIA client with a robot for the first time. The process can be daunting if you don't make the right connections and installations.

Proper Connections

Make sure you have ARIA properly installed and that your robot and connections are correct. A common mistake with Linux is not having the proper permissions on the connecting serial port.

Make sure your robot's batteries are fully charged (battery LED green). The robot servers shut down and won't allow a connection at under `ShutdownVolts`.

ATTENTION!

The ARIA-to-robot connection is **SERIAL** only. Accordingly, run the ARIA demo client with the onboard or piggyback computer, over radio modems or over the network with the wireless Ethernet-to-serial device.

If you are using the onboard PC or radios, the serial connection is internal and established at the factory; you should not have problems with those cables. Simply make sure the `AUX1` switch on the User Control Panel is engaged (associated LED lit), for example. And remove any serial cable that is plugged into the User Control Panel as it may interfere with internal serial communication.

With other serial connections, make sure to use the proper cable: a "pass-through" one, minimally connecting pins 2, 3, and 5 of your PC's serial port to their respective contacts of the robot's serial port on the User Control Panel.

If you access the wrong serial port, the ARIA demonstration program will display an error message. If the robot server isn't listening or if the serial link is severed somewhere between the client and server (cable loose or the radio is off, for instance), the client will attempt "Syncing 0" several times and fail. In that case, `RESET` the robot and check your serial connections.

If for some reason communications get severed between the ARIA client and ARCOS server, but both the client and server remain active, you may revive the connection with little effort: If you are using wireless communications, first check and see if the robot is out of range.

Communications also will fail if the client and/or server is somehow disabled during a session. For instance, if you inadvertently switch off the robot's `Main Power` or press the `RESET` button, you must restart the connection. Turning the `Main Power` switch `OFF` and then back `ON`, or pressing the `RESET` button puts the robot servers back to their wait state, ready to accept client connections again. If the ARIA demo or other client application is still active, simply press `esc` and restart.

Chapter 6 **ARCOS**

All MOBILEROBOTS platforms use a client-server mobile robot-control architecture. In the model, the robot's servers work to manage all the low-level details of the mobile robot's systems. These include operating the motors, firing the sonar, collecting and reporting sonar and wheel encoder data and so on—all on command from and reporting to a separate client application, such as the ARIA demo.

With this client/server architecture, robotics applications developers do not need to know many details about a particular robot server, because the client insulates them from this lowest level of control. Some of you, however, may want to write your own robotics control and reactive planning programs, or just would like to have a closer programming relationship with your robot. This chapter explains how to communicate with and control your robot via the Advanced Robot Control and Operations Software (ARCOS) client-server interface. The same ARCOS functions and commands are supported in the various client-programming environments that accompany your robot or are available for separate license.

Experienced MOBILEROBOTS users can be assured that ARCOS is upwardly compatible with all MOBILEROBOTS platforms, implementing the same commands and information packets that first appeared in the Pioneer 1-based PSOS, in the original Pioneer 2-based P2OS, and more recent AROS-based Pioneer 2s and 3s, as well as PeopleBot and PowerBot. ARCOS, of course, extends the servers to add new functionality, improve performance, and provide additional information about the robot's state and sensing.

CLIENT-SERVER COMMUNICATION PACKET PROTOCOLS

MOBILEROBOTS platforms communicate with a client using special client-server communication packet protocols, one for command packets from client to server and another for Server Information Packets (SIPs) from the server to client. Both protocols are bit streams consisting of five main elements: a two-byte header, a one-byte count of the number of subsequent packet bytes, the client command or SIP packet type, command data types and argument values or SIP data bytes, and, finally, a two-byte checksum. Packets are limited to a maximum of 207 bytes each.

The two-byte header which signals the start of a packet is the same for both client-command packets and SIPs: 0xFA (250) followed by 0xFB (251). The subsequent count byte is the number of all *subsequent* bytes in the packet including the checksum, but not including the byte count value itself or the header bytes.

Data types are simple and depend on the element (see descriptions below): client commands, SIP types, and so on, are single 8-bit bytes, for example. Command arguments and SIP values may be 2-byte integers, ordered as least-significant byte first. Some data are strings of up to a maximum 200 bytes, prefaced by a length byte. Unlike common data integers, the two-byte checksum appears with its *most-significant* byte first.

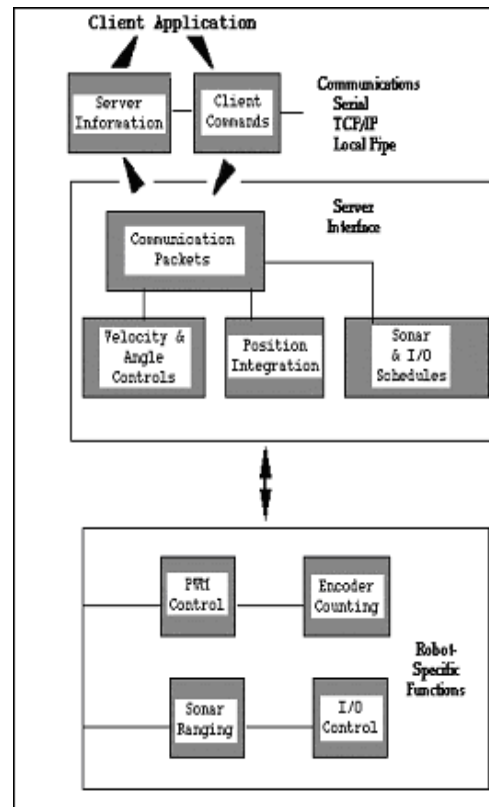


Figure 18. MOBILEROBOTS client-server control architecture

Packet Checksum

Calculate the client-server packet checksum by successively adding data byte pairs (high byte first) to a running checksum (initially zero), disregarding sign and overflow. If there are an odd number of data bytes, the last byte is XORed to the low-order byte of the checksum.

```
AREXPORT ArTypes::Byte2 ArRobotPacket::calcChecksum(void)
{
    int i;
    unsigned char n;
    int c = 0;

    i = 3;
    n = myBuf[2] - 2;
    while (n > 1) {
        c += ((unsigned char)myBuf[i]<<8) | (unsigned char)myBuf[i+1];
        c = c & 0xffff;
        n -= 2;
        i += 2;
    }
    if (n > 0)
        c = c ^ (int)((unsigned char) myBuf[i]);
    return c;
}
(from MobileRobots ARIA ArRobotPacket.cpp)
```

NOTE: The checksum integer is placed at the end of the packet, with its bytes in the reverse order of that used for data; that is, b_0 is the high byte and b_1 is the low byte.

Table 3. Client command packet protocol

COMPONENT	BYTES	VALUE	DESCRIPTION
header	2	0xFA, 0xFB	Packet header; same for client and server
byte count	1	N	Number of command/argument bytes plus Checksum's two bytes, but not including Byte Count itself or the header bytes. Maximum of 249.
command number	1	0 - 255	Client command number; see Table 5.
argument type	1	0x3B or 0x1B or 0x2B	Required data type of command argument: positive integer, negative or absolute integer, or string
argument	n	data	Command argument; always 2-byte integer or string containing length prefix
checksum	2	computed	Packet integrity checksum

Packet Errors

ARCOS ignores a client command packet whose byte count exceeds 204 (total packet size of 207 bytes) or has an erroneous checksum. The client should similarly ignore erroneous SIPs.

Because of the real-time nature of client-server mobile-robotics interactions, we made a conscious decision to provide an unacknowledged communication packet interface. Retransmitting server information or command packets typically serves no useful purpose because old data is useless in maintaining responsive robot behaviors.

Nonetheless, the client-server interface provides a simple means for dealing with ignored command packets: Most of the client commands alter state variables in the server. By examining those values in respective SIPs, client software may detect ignored commands and re-issue them until achieving the correct state.

THE CLIENT-SERVER CONNECTION

Before exerting any control, a client application must first establish a connection with the robot server via a serial link through the robot microcontroller's `HOST` serial port either via the internal `HOST` or the User Control Panel `SERIAL` connector. After establishing the communication link, the client then sends commands to and receives operating information from the server.

When first started or reset, ARCOS is in a special wait state listening for communication packets to establish a client-server connection.¹⁵ To establish a connection, the client application must send a series of three synchronization packets containing the `SYNC0`, `SYNC1` and `SYNC2` commands in succession, and retrieve the server responses.

Specifically, and as examples of the client command protocol described below, the sequence of synchronization bytes is:

```

SYNC0: 250, 251, 3, 0, 0, 0
SYNC1: 250, 251, 3, 1, 0, 1
SYNC2: 250, 251, 3, 2, 0, 2

```

When in wait mode, ARCOS echoes the packets verbatim back to the client. The client should listen for the returned packets and only issue the next synchronization packet after it has received the appropriate echo.

Autoconfiguration (SYNC2)

ARCOS automatically sends robot identifying information back to the client following the last synchronization packet (`SYNC2`). The configuration values are three NULL-terminated strings that comprise the robot's FLASH-stored `name`, `class`, and `subclass`. You may uniquely `name` your robot with the FLASH configuration tool we provide. The `class` and `subclass` are constants normally set at the factory and not changed thereafter. (See next chapter for details.)

The `class` string typically is `Pioneer`. The `subclass` depends on your robot model; `P3DX-SH` or `P3AT-SH`, for example. Clients may use these identifying strings to self-configure their own operating parameters. ARIA, for instance, loads and uses the robot's related parameter files found in the special `Aria/params` directory.

Opening the Servers—OPEN

Once you've established a connection with ARCOS, your client should send the `OPEN` command #1 (250, 251, 3, 1, 0, 1) to the server, which causes the microcontroller to perform a few housekeeping functions, start its various servers, such as for the sonar and motors, and begin transmitting server information to the client.

Note that when at first connected, your robot's motors are disabled regardless of their state when last connected. To enable the motors after starting a connection, you must either do it manually (press the white `MOTORS` button on the User Control Panel) or have your client send an `ENABLE` client command #4 with an integer argument of 1. See *Client Commands* below.

Once connected, send the `ENABLE` command
or press the white `MOTORS` button on the User Control Panel
to enable your robot's motors.

Server Information Packets

Once `OPENED`, ARCOS automatically and repeatedly sends a packet of information over the `HOST` serial port back to the connected client. The standard ARCOS SIP informs the client about a number of operating states and readings, using the order and data types described in the nearby Table. ARCOS also supports several additional SIP types. See following sections for details.

¹⁵ There also is maintenance mode for ARCOS downloads and parameter updates; see next chapter for details.

Table 4. ARCOS standard SIP contents

LABEL	DATA	DESCRIPTION
HEADER	2 bytes	Exactly in order 0xFA (250), 0xFB (251)
BYTE COUNT	byte	Number of data bytes + 2 (checksum), not including header or byte-count bytes
TYPE	0x3s	Motors status; s = 2 when motors stopped or 3 when robot moving.
XPOS	int	Wheel-encoder integrated coordinates in millimeters (DistConvFactor‡ = 1.0).
YPOS	int	
THPOS	int	Orientation in degrees (AngleConvFactor‡ = 1.0).
L VEL	int	Wheel velocities in millimeters per second (VelConvFactor‡ = 1.0)
R VEL	int	
BATTERY	byte	Battery charge in tenths of volts (101 = 10.1 volts, for example)
STALL AND BUMPERS	uint‡	Motor stall and bumper indicators. Bit 0 is the left wheel stall indicator, set to 1 if stalled. Bits 1-7 correspond to the first bumper I/O digital input states (accessory dependent). Bit 8 is the right wheel stall, and bits 9-15 correspond the second bumper I/O states, also accessory and application dependent.
CONTROL	int	Setpoint of the server's angular position servo in degrees
FLAGS	uint	Bit 0 motors status; bits 1-4 sonar array status; bits 5,6 STOP; bits 7,8 ledge-sense IRs; bit 9 joystick fire button; bit 10 auto-charger power-good.
COMPASS	byte	Electronic compass accessory heading in 2-degree units
SONAR COUNT	byte	Number of new sonar readings included in SIP
NUMBER	byte	If Sonar Count>0, is sonar disc number 0-31; readings follow
RANGE	uint	Corrected sonar range value in millimeters (RangeConvFactor‡ = 1.0)
...REST OF THE SONAR READINGS...		
GRIP STATE	byte	Gripper state byte.
ANPORT	byte	Selected analog port number 1-5
ANALOG	byte	User Analog input (0-255=0-5 VDC) reading on selected port
DIGIN	byte	Byte-encoded User I/O digital input
DIGOUT	byte	Byte-encoded User I/O digital output
BATTERYX10	int	Actual battery voltage in 0.1 V (especially useful for battery voltages > 25.5)
CHARGESTATE	byte	Version 1.5 and later. Automated recharging state byte; -1 = unknown; 0=not charging; 1=bulk; 2=overcharge; 3=float.
CHECKSUM	int	Packet-integrity checksum

‡ Client-side data-conversion factor. Consult the ARIA parameter file your robot.

‡ Explicitly, an unsigned integer; all others sign-extended

Keeping the Beat—PULSE

An ARCOS safety watchdog expects that, once connected, your robot receives at least one client command packet from the attached PC every `watchDog` seconds, as defined in your robot's FLASH (default is two seconds). Otherwise, it assumes the client-server connection is broken and stops the robot.

Some clients—ARIA-based ones, for instance—use the good practice of sending a PULSE client command #0 (250, 251, 3, 0, 0, 0) just after OPEN. And if your client application will be otherwise distracted for some time, periodically issue the PULSE command to let your robot server know that your client is indeed alive and well. It has no other effect.

If the robot shuts down due to lack of communication with the client, it will revive upon receipt of a client command and automatically accelerate to the last-specified speed and heading setpoints.

Closing the Connection—CLOSE

To close the client-server connection, which automatically disables the motors and other functions like sonar, simply issue the client `CLOSE` command #2 (250, 251, 3, 2, 0, 2).

Most of ARCOS' operating parameters return to their FLASH-based default values upon disconnection with the client.¹⁶

CLIENT COMMANDS

ARCOS has a structured command format for receiving and responding to directions from a client for control and operation of your robot. Client commands are comprised of a one-byte command number optionally followed, if required by the command, by a one-byte description of the argument type and then the argument value.

The number of client commands you may send per second depends on the `HOST` serial baud rate, average number of data bytes per command, synchronicity of the communication link, and so on. ARCOS' command processor runs on a one millisecond interrupt cycle, but the server response speed depends on the command. Typically, limit client commands to a maximum of one every 3-5 milliseconds or be prepared to recover from lost commands.

Table 5. ARCOS client-side command set

COMMAND	#	ARGS	DESCRIPTION	VERSION
			Before Client Connection	
SYNC0	0	none	Start connection. Send in sequence. ARCOS echoes synchronization commands back to client, and robot-specific auto-synchronization after SYNC2.	1.0
SYNC1	1	none		
SYNC2	2	none		
			After Established Connection	
PULSE	0	none	Reset server watchdog.	1.0
OPEN	1	none	Start up servers.	1.0
CLOSE	2	none	Close servers and client connection.	1.0
POLLING	3	str	Change sonar polling sequence.	1.0
ENABLE	4	int	1=enable; 0=disable the motors.	1.0
SETA	5	int	Set translation acceleration, if positive, or deceleration, if negative; in mm/sec ² .	1.0
SETV	6	int	Set maximum/move translation velocity; mm/sec.	1.0
SETO	7	none	Reset local position to 0,0,0 origin.	1.0
MOVE	8	int	Translate (+) forward or (-) back mm distance at SETV speed	1.0
ROTATE	9	int	Rotate (+) counter- or (-) clockwise degrees/sec.	1.0
SETRV	10	int	Sets maximum/turn rotation velocity; degrees/sec.	1.0
VEL	11	int	Translate at mm/sec forward (+) or backward (-) (SETV limit).	1.0
HEAD	12	int	Turn at SETRV speed to absolute heading; ±degrees (+ = ccw).	1.0
DHEAD	13	int	Turn at SETRV speed relative to current heading; (+) counter- or (-) clockwise degrees.	1.0
SAY	15	str	Play up to 20 duration, tone sound pairs through User Control Panel piezo speaker.	1.0
JOYREQUEST	17	int	Request one or continuous stream (>1) or stop (0) joystick SIPs	1.3
CONFIG	18	none	Request a configuration SIP.	1.0
ENCODER	19	int	Request one, a continuous stream (>1), or stop (0) encoder SIPs.	1.0
RVEL	21	int	Rotate robot at (+) counter- or (-) clockwise; degrees/sec (SETRV limit).	1.0
DCHEAD	22	int	Adjust heading relative to last setpoint; ± degrees (+ = ccw)	1.0
SETRA	23	int	Change rotation de(-) or (+)acceleration, in degrees/sec ²	1.0
SONAR	28	int	1=enable, 0=disable all the sonar; otherwise, use bit 0 to enable (1) or disable (0) a particular array 1-4, as specified in argument bits 1-4.	1.0
STOP	29	none	Stop the robot; motors remain enabled	1.0

¹⁶ With earlier OSes, the changes persisted between sessions and reverted to the FLASH defaults only after the controller was reset.

DIGOUT	30	2 byte	Set (1) or reset (0) User Output ports. Bits 8-15 is a byte mask that selects, if set (1), the output port(s) for change; Bits 0-7 set (1) or reset (0) the selected port(s).	1.0
VEL2	32	2 byte	Set independent wheel velocities; bits 0-7 for right wheel, bits 8-15 for left wheel; in 20mm/sec increments.	1.1
GRIPPER	33	int	Gripper server commands. See the Gripper or PeopleBot Manual for details.	1.0
ADSEL	35	int	Selects the A/D port number for reporting ANPORT value in standard SIP.	1.0
GRIPPERVAL	36	int	Gripper server values. See Gripper or PeopleBot Manual for details.	1.0
GRIPREQUEST	37	int	Request one, a continuous stream (>1), or stop (0) Gripper SIPs.	1.0
IOREQUEST	40	int	Request one (1), a continuous stream (>1), or stop (0) IO SIPs.	1.0
TTY2	42	str	Sends string argument to serial device connected to AUX1 serial port.	1.0
GETAUX	43	uint	Request to retrieve 1-200 bytes from the AUX1 serial port; 0 flushes the buffer.	1.0
BUMPSTALL	44	int	Stall robot if no (0), only front (1) while moving forward, only rear (2) while moving backward, or either (3) bumpers contacted when robot moving in related direction.	1.0
TCM2	45	int	TCM2 module commands; see TCM2 Manual for details.	1.0
JOYDRIVE	47	int	1=allow joystick drive from port while connected with a client; 0 (default) disallows.	1.0
SONARCYCLE	48	uint	Change the sonar cycle time; in milliseconds.	1.0
HOSTBAUD	50	int	Change the HOST serial port baud rate to 0=9600, 1=19200, 2=38400, 3=57600, or 4=115200.	1.0
AUX1BAUD	51	int	Change the AUX1 serial port baud rate (see HOSTBAUD).	1.0
AUX2BAUD	52	int	Change the AUX2 serial port baud rate (see HOSTBAUD).	1.0
AUX3BAUD	53	int	Change the AUX3 serial port baud rate (see HOSTBAUD).	1.0
E_STOP	55	none	Emergency stop; very abrupt by overriding deceleration.	1.0
M_STALL	56	int	Argument 1=MOTORS button off causes a stall	1.0
GYROREQUEST	58	int	Request one, a continuous stream (>1), or stop (0) Gyro SIPs.	1.0
LCDWRITE	59	str	Display a message on the LCD accessory: byte 1=starting column (1-19); byte 2=starting row (1-4); byte 3=1 if clear line contents first, otherwise 0; bytes 4- = up to 20 chars, NULL-terminated.	1.3
TTY4	60	str	Send string argument out to device connected at AUX3 serial port.	1.0
GETAUX3	61	int	Request to retrieve 1-200 bytes from the device connected at the AUX3 serial port; 0 flushes the buffer.	1.0
TTY3	66	str	Send string argument out to device connected at AUX2 serial port.	1.0
GETAUX2	67	int	Request to retrieve 1-200 bytes from the device connected at the AUX2 serial port; 0 flushes the buffer.	1.0
CHARGE	68	int	0=release; 1=deploy autocharge-docking mechanism.	1.0
ARM	70-80	int	Pioneer Arm-related commands. See Arm manual for details.	1.1
ROTKP	82	int	Change working rotation Proportional PID value.	1.0
ROTKV	83	int	Change working rotation Derivative PID value.	1.0
ROTKI	84	int	Change working rotation Integral PID value.	1.0
TRANSKP	85	int	Change working translation Proportional PID value.	1.0
TRANSKV	86	int	Change working translation Derivative PID value.	1.0
TRANSKI	87	int	Change working translation Integral PID value.	1.0
REVCOUNT	88	int	Change working differential encoder count.	1.1
DRIFTFACTOR	89	int	Change working drift factor.	1.0
SOUNDTOG	92	int	0=mute User Control piezo; 1 = enable.	1.0

TICKSMM	93	int	Change working encoder ticks per millimeter tire travel.	1.1
BATTEST	250	int	Artificially set the battery voltage; argument in tens volts (100=10V); 0 to revert to real voltage	1.0
RESET	253	none	Force a power on-like reset of the microcontroller.	1.0
MAINTENANCE	255	none	Engage microcontroller maintenance (ARSHstub) mode.	1.0

Client Motion Commands

The ARCOS motor-control servers accept several different motion commands of two types: either independent-wheel (VEL2) or translation/rotation movements (VEL, ROT, etc). Actually, VEL2 commands are recomposed at the server into their translation and rotation components and the corresponding limits and (de)accelerations get applied. The ARCOS servers automatically abandon any translation or rotation setpoints and switch to independent wheel velocity- or translation/rotation-type controls when your client issues a command of the opposite type.

Table 6. Client motion-related commands

ROTATION	
head (#12)	Turn to absolute heading at SETRV max velocity
dhead (#13), dhead (#22)	Turn to heading relative to control point at SETRV max velocity
rotate (#9)	Rotate at SETRV velocity
rvel (#21)	Rotate at + (counter) or - (clockwise) deg/sec up to SETRV max
TRANSLATION	
vel (#11)	Translate forward/reverse at prescribed velocity (SETV maximum)
move (#8)	Translate distance at SETV max velocity
INDEPENDENT	WHEEL
vel2 (#32)	Set velocity for each side of robot

Note that once connected, the robots' motors are *disabled*, regardless of their state when last connected. Accordingly, you must either enable the motors manually (white MOTORS button on the User Control Panel) or send the motors ENABLE client command #4 with the argument value of one.¹⁷ Monitor the status of the motors with bit 0 of the Flags integer in the standard SIP.

ROBOTS IN MOTION

When ARCOS receives a motion command, it accelerates or decelerates the robot at the translation SETA (command #5) and rotation SETRA (command #23) rates until the platform either achieves its SETV (command #6) maximum translation and SETRV (command #10) maximum rotation speeds (or VEL2 equivalents), or nears its goal. Accordingly, rotation headings and translation setpoints are achieved by a trapezoidal velocity function, which ARCOS recomputes each time it receives a new motion command.¹⁸

ARCOS automatically limits VEL2-, VEL-, and RVEL-specified velocities to previously imposed, client-modifiable SETVEL and SETRV maximums, and ultimately by absolute, platform-dependent, FLASH-embedded constants (TOP values). Similarly, the distinct acceleration and deceleration parameters for both translation and rotation are limited by FLASH constants. ARCOS initializes these values upon

¹⁷ Alternatively, disable the motors with the ENABLE command argument of zero.

¹⁸ Note that acceleration and deceleration are distinct values, settable via SETA for translation and SETRA for rotation.

microcontroller startup or reset from related FLASH parameters. The speed limits, either from FLASH or when changed by SETV or SETRV commands, take effect on subsequent commands, not on current translation or rotation. The maximums revert to their FLASH defaults when disconnected from a client.

The orientation commands HEAD (#12), DHEAD (#13), DCHEAD (#22) turn the robot with respect to its internal dead-reckoned angle to an absolute heading (0-359 degrees), relative to its immediate heading, or relative to its current heading setpoint (achieved or last commanded heading), respectively. In general, positive relative heading command arguments turn the robot in a counterclockwise direction. However, the robot always turns in the direction that will achieve its heading most efficiently. Accordingly, relative-heading arguments greater than 179 degrees automatically get reduced to 179 or less degrees with a concomitant change in direction of rotation.

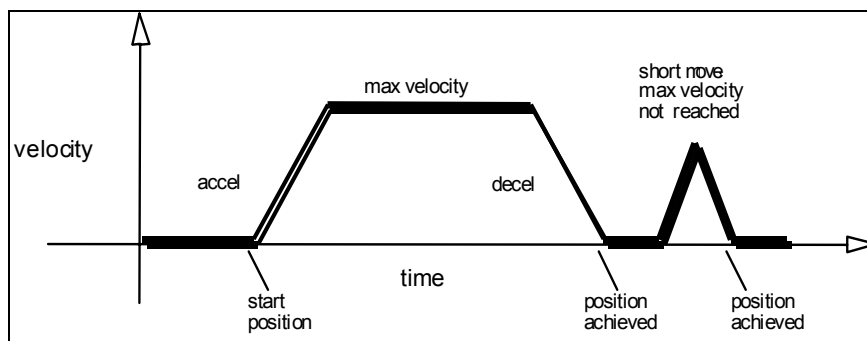


Figure 19. Trapezoidal velocity profile

The E_STOP command #55 or the STOP button that is found on some MOBILEROBOTS platforms override deceleration and abruptly stop the robot in the shortest distance and time possible. Accordingly, the robot brakes to zero translation and rotation velocities with very high deceleration and remains stopped until it receives a subsequent translation or rotation velocity command from the client or until the STOP button is reset. (See E_STOP and E_STALL later in this chapter.)

PID Controls

The ARCOS drive servers use a common Proportional-Integral-Derivative (PID) system with wheel-encoder feedback to adjust a pulse-width-modulated (PWM) signal at the motor drivers to control the power to the motors. The motor-duty cycle is 50 microseconds (20 KHz); pulse-width is proportional 0-500 for 0-100% of the duty cycle. The ARCOS drive servers recalculate and adjust your robot's trajectory and speed every five milliseconds.

The PID values for translation and rotation and maximum PWM are reconfigurable FLASH parameters in your robot's microcontroller. You also may temporarily update the PID values with the ARCOS client commands #84 through #87. On-the-fly changes persist until the client disconnects. Translation PID values apply to independent wheel-velocity mode, as well.

The P-term value K_p increases the overall gain of the system by amplifying the position error. Large gains will have a tendency to overshoot the velocity goal; small gains will limit the overshoot but cause the system to become sluggish. We've found that a fully loaded robot works best with a K_p setting of around 15 to 30, whereas a lightly loaded robot may work best with K_p in the range of 20 to 50.

The D-term K_v provides a PID gain factor that is proportional to the output velocity. It has the greatest effect on system damping and minimizing oscillations within the drive system. The term usually is the first to be adjusted if you encounter unsatisfactory drive response. Typically, we find K_v to work best in the range of 10 to 30 for lightly to heavily loaded robots, respectively. If your robot starts to vibrate or shutter, reduce K_v .

The I-Term K_i moderates any steady state errors thereby limiting velocity fluctuations during the course of a move. At rest, your robot will seek to "zero out" any command position error. Too large of a K_i factor will cause an excessive windup of the motor when the load changes, such as when climbing over a bump or accelerating to a new speed. Consequently, we typically use a minimum value for K_i in the range of 0 to 10 for lightly to heavily loaded robots respectively.

Position Integration

MOBILEROBOTS platforms track their position and orientation based on dead-reckoning from wheel motion derived from encoder readings. The ARCOS-based robot maintains its internal coordinate position in platform-dependent units, but reports the values in platform-independent millimeters and degrees in the standard SIP (Xpos, Ypos, and Thpos).

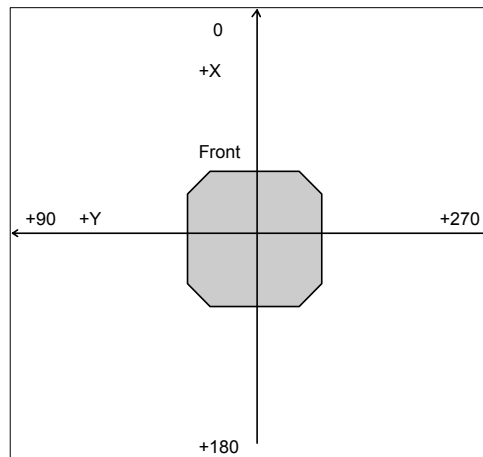


Figure 20. Internal coordinate system

Be aware that registration between external and internal coordinates deteriorates rapidly with movement due to gearbox play, wheel imbalance and slippage, and many other real-world factors. You can rely on the dead-reckoning ability of the robot for just a short range—on the order of a few meters and one or two revolutions, depending on the surface. Carpets tend to be worse than hard floors.

Also, moving either too fast or too slow tends to exacerbate the absolute position errors. Accordingly, consider the robot's dead-reckoning capability as a means of tying together sensor readings taken over a short period of time, not as a method of keeping the robot on course with respect to a global map.

On start-up, the robot is at the origin (0, 0, 0), pointing toward the positive X-axis at 0 degrees. Absolute angles vary between 0 and 359.

You may reset the internal coordinates back to 0,0,0 with the `SET0` command #7.

DriftFactor, RevCount, and TicksMM

Three client commands let you change, albeit momentarily for the current client-server connection, those values that affect translation, rotation and drift in your robot. `TicksMM` is the number of encoder ticks per millimeter tire rotation for translation speed and distance computations. The default `FLASH` value can be changed on-the-fly during a client connection session with the `TICKSMM` client command #93 and unsigned integer value.

`DriftFactor` is a signed value in 1/8192 increments that gets added to or subtracted from the left wheel encoder's ticks to correct for tire circumference differences and consequent translation and rotation drift. `DriftFactor` defaults to its `FLASH` value on start up or reset, and can be changed on-the-fly with the `DRIFTFACTOR` client command #89 with signed integer argument.

The `RevCount` parameter is the differential number of encoder ticks for a 180-degree rotation of the robot and is used to compute and execute headings. Like `DriftFactor` and `TicksMM`, `RevCount` defaults to its `FLASH` value on startup or reset, and can be changed on-the-fly with the `REVCOUNT` client command #88 and unsigned integer argument.

SONAR

When connected with and opened by the client, ARCOS automatically begins firing your robot's sonar, one disc each simultaneously for each of up to four arrays, as initially sequenced and enabled in your robot's `FLASH` parameters. The sonar servers also begin sending the sonar-ranging results to the client via the standard SIP.

Enable/Disabling Sonar

Use the `SONAR` client command #28 to enable or disable all or individual sonar arrays. Set bit zero of the `SONAR` argument to one to enable or reset it, or 0 to disable the sonar pinging. Set argument bits two through four to an individual array number one through four to enable or disable only that array. Array zero, the form of the original P2OS command, affects all the arrays at once.

For example, an argument value of one enables all the sonar arrays, whereas an argument value of six silences array number three. Monitor the status of the sonar arrays in the `FLAGS` integer bits 1-4 of the standard SIP. The respective bit is set if the array is engaged.

Polling Sequence

Each array's sonar fire at a rate and in the sequence defined in your robot microcontroller's `FLASH` parameters. (Consult the next chapter on how to change the `FLASH` settings.) Use the sonar `POLLING` command #3 to have your client change the firing sequence, and the `SONAR_CYCLE` command #48 to change the rate. The changes persist until you restart the client-server connection.

The `POLLING` command string argument consists of a sequence of sonar numbers one through 32. Sonar numbers one through eight get added to the polling sequence for sonar array number one; numbers nine through 16 get added to the sequence for sonar array number two; 17-24 specify the sequence for array three; and 25-32 are for array four. You may include up to 16 sonar numbers in the sequence for any single array. Only those arrays whose sonar numbers appear in the argument get re-sequenced.

You may repeat a sonar number two or more times in a sequence. If a sonar number does not appear in an otherwise altered sequence, the disc will not fire. If you do repeat a sonar in the sequence, know that ARIA and related clients ignore the first reading if two sonar ranging data appear in the same SIP.

For compatibility with earlier robot operating systems, if the string is empty, all the sonar in the array get disabled, but their polling sequences remain unaltered, just as if you had sent the `SONAR` command with an argument value of zero.

Polling Rate

For earlier Pioneer microcontroller versions, the sonar polling rate was fixed for each array: one sonar disc per array got polled every 40 milliseconds. So, for an eight-disc array with a sequential polling sequence (12345678 by default), any one sonar transducer would be read every 320 milliseconds. That common cycle timing accommodates ranging out to the maximum of the sonar of over six meters for general applications, including features recognition and localization. For other applications, such as close-in obstacle avoidance, a shorter range but faster rate of update is better.

Use the `SONAR_CYCLE` client command #48 to change the cycle timing on the fly to the command integer's argument value in milliseconds. Minimum and maximum values are two and 120 milliseconds, respectively. The default value is set in `FLASH`, normally to the legacy 40 milliseconds.

STALLS AND EMERGENCIES

With a robot equipped with forward and/or rear bumpers, ARCOS may immediately stop the robot and notify the client of a stall if any one or more of the contact sensors get triggered and the robot is going in the direction of the bump (forward/front or backward/rear). Send the `BUMPSTALL` command #44 with an integer argument of zero to disable that bump-stall behavior. Give the argument value of one to re-enable `BUMPSTALL` only when a forward bump sensor gets triggered; two for rear-only `BUMPSTALLs`; or three for both rear and forward bump contact-activated stalls.

In an emergency, your client may want the robot to stop quickly, not subject to normal deceleration. In that case, send the `E_STOP` command (#55).

Like `BUMPSTALL`, use ARCOS' built-in `E_STALL` feature to simulate a stall when someone presses the robot's `STOP` button.¹⁹ An integrated switch in the `STOP` button toggles a dedicated digital I/O port on the microcontroller, thereby notifying ARCOS of the condition. ARCOS stops the robot's motors, puts on the brakes and throws continuous stalls.

¹⁹ Available only on some robots.

Table 7. The FLAGS bits

Bit	CONDITION IF SET
0	Motors enabled
1	Sonar array #1 enabled
2	Sonar array #2 enabled
3	Sonar array #3 enabled
4	Sonar array #4 enabled
5	STOP button pressed
6	E stall engaged
7	Far ledge detected (IR)
8	Near ledge detected (IR)
9	Joystick button 1 pressed
10	Recharging "power-good"
11-15	Reserved

Unlike other stalls, E_STALL also disables the motors. You must either re-enable the motors manually (MOTORS button) or programmatically (ENABLE command #4).

The E_STALL server notifies your client software through the stall bytes and in bit 5 of the FLAGS byte in the standard so that your client may respond to a STOP E_STALL differently than a regular stall.

Normally enabled (default was disabled in P2OS), change E_STALL by sending the ARCOS command #56. With argument of zero, E_STALL gets disabled. An argument value of one re-enables E_STALL.

ACCESSORY COMMANDS AND PACKETS

Several types of alternative server information packets (SIPs) come with ARCOS to better support the MOBILEROBOTS community. On request from the client by a related ARCOS command, the ARCOS server packages and sends one or a continuous stream of information packets to the client over the HOST serial communication line. Extended packets get sent immediately before (such as GYROpac and JOYSTICKpac) or after (such as IOpac) the standard SIP that ARCOS sends to your client every SIP milliseconds.²⁰

The standard SIP takes priority so you may have to adjust the HOST serial baud rate to accommodate all data packets in the allotted cycle time, or some packets may never get sent.

Packet Processing

Identical with the standard SIP, all ARCOS server information packets get encapsulated with the header (0xFA, 0xFB; 250, 251), byte count, packet type byte and trailing checksum. It is up to the client to parse the packets, sorted by type for content. Please consult the respective client application programming manuals for details.

CONFIGpac and CONFIG Command

Send the CONFIG command #18 without an argument to have ARCOS send back a CONFIGpac SIP packet type 32 (0x20) containing the robot's operational parameters. Use the CONFIGpac to examine many of your robot's default FLASH_based settings and their working values, where appropriate, as changed by other client commands, such as SETV and ROTKV.

Table 8. CONFIGpac contents

LABEL	DATA	DESCRIPTION
Header	int	Common packet header = 0xFAFB
Byte count	byte	Number of following data bytes
Type	byte	ENCODERpac = 0x20
Robot type	str	Typically "Pioneer"
Subtype	str	Identifies the ActivMedia robot model; e.g. "dxsh",
Sernum	str	Serial number for the robot.
4mots	byte	Antiquated (=1 if AT with P2OS)
Rotveltop	int	Maximum rotation velocity; deg/sec
Transveltop	int	Maximum translation speed; mm/sec
Rotacctop	int	Maximum rotation (de)acceleration; deg/sec ²
Transacctop	int	Maximum translation (de)acceleration; mm/sec ²
PWMmax	int	Maximum motor PWM (limit is 500).
Name	str	Unique name given to your robot.
SIPcycle	byte	Server information packet cycle time; ms.
Hostbaud	byte	Baud rate for client-server HOST serial: 0=9.6k, 1=19.2k, 2=38.4k, 3=56.8k, 4=115.2k.

²⁰ You may have to adjust the HOST serial baud rate to accommodate the additional communications traffic.

Auxbaud	byte	Baud rate for AUX1 serial port; see HostBaud.
Gripper	int	0 if no Gripper; else 1.
Front sonar	int	1 if robot has front sonar array enabled, else 0.
Rear sonar	byte	1 if robot has rear sonar enabled, else 0.
Lowbattery	int	In 1/10 volts; alarm activated when battery charge falls below this value.
Revcount	int	Working number of differential encoder ticks for a 180 degree revolution of the robot.
Watchdog	int	Ms time before robot automatically stops if it has not received a command from the client. Restarts on restoration of connection.
P2mpacs	byte	1 means alternative SIP enable; not used by ARCOS.
Stallval	int	Maximum PWM before stall. If > PWMMAX, never.
Stallcount	int	Ms time after a stall for recovery. Motors lax during this time.
Joyvel	int	Joystick translation velocity setting, mm/sec
Joyrvel	int	Joystick rotation velocity setting in deg/sec
Rotvelmax	int	Current max rotation speed; deg/sec.
Transvelmax	int	Current max translation speed; mm/sec.
Rotacc	int	Current rotation acceleration; deg/ sec ²
Rotdecel	int	Current rotation deceleration; deg/ sec ²
Rotk _p	int	Current Proportional PID for rotation
Rotk _v	int	Current Derivative PID for rotation
Rotk _i	int	Current Integral PID for rotation
Transacc	int	Current translation acceleration; mm/ sec ²
Transdecel	int	Current translation deceleration; mm/ sec ²
Transk _p	int	Current Proportional PID for translation.
Transk _v	int	Current Derivative PID for translation.
Transk _i	int	Current Integral PID for translation.
Frontbumps	byte	Number of front bumper segments.
Rearbumps	byte	Number of rear bumper segments.
Charger	byte	1 if P3/PeopleBot or 2 if PowerBot automated charger mechanism and circuitry installed in robot; otherwise 0.
Sonarcycle	byte	Sonar duty cycle time in milliseconds.
Autobaud	byte	1 if the client can change baud rates; 2 if auto-baud implemented.
Hasgyro	byte	1 if robot equipped with the gyro heading correction device; otherwise 0.
Driftfactor	int	Working drift factor value.
Aux2baud	byte	Baud rate for AUX2 serial port; see HostBaud.
Aux3baud	byte	Baud rate for AUX3 serial port; see HostBaud.
Ticksmm	int	Encoder ticks per millimeter tire motion
Shutdownvolts	int	DC volts X10 at or below which the onboard PC will shut down
WITH VERSION 1.5...		
Versionmajor	str	Null-terminated strings for ARCOS version numbers
Versionminor	str	
Chargethreshold	int	DC volts X10 for PowerBot's charger threshold.

SERIAL

The baud rates for the HOST and AUX serial ports initially are set from their respective FLASH-based defaults and get reset to those values whenever the microcontroller is reset or upon client disconnection. For advanced serial port management from the client side, ARCOS provides four client commands which let your software reset the HOST (HOSTBAUD #50), Aux1 (AUX1BAUD #51), Aux2 (AUX2BAUD #52) and Aux3 (AUX3BAUD #53) serial port baud rates, respectively. Use the integer command argument values: 0=9600, 1=19.2K, 2=38.8K, 3=57.6K, or 4=115.2K baud, respectively.

With auto-bauding, the HOST serial port automatically reverts to its FLASH default baud rate if, after being reset by the HOSTBAUD client command, it does not receive a subsequent and valid client-command packet within 500 milliseconds.

HOST-to-AUX Serial Transfers

Use the client-side TTY2 command #42 with a string argument to have that string sent out the Aux1 port to the attached serial device, such as a robotic camera. Similarly, use the TTY3 command #66 to send a string argument out the Aux2 port or TTY4 command #60 to send a HOST-mediated client string out the Aux3 port.

ARCOS also maintains three circular buffers for incoming serial data from the respective Aux ports. On request, ARCOS sends successive portions of the buffer to your client via the HOST serial in the respective `SERAUXpac` (type = 176; 0xB0), `SERAUX2pac` (type = 184; 0xB8) and `SERAUX3` (type = 200; 0xC8) SIPs. Use the `GETAUX #43` for Aux1, `GETAUX2` command #67 for Aux2 and `GETAUX3` command #61 for Aux3.

Use the integer argument value of zero to flush the contents of the respective buffer. Otherwise, use an argument value of up to 253 bytes to have ARCOS wait to collect the requested number of incoming AUX-port serial bytes and then send them in the respective `SERAUXpac`, `SERAUX2pac`, or `SERAUX3pac` SIP.

ENCODERS

Issue the `ENCODER` command #19 with an argument of one for a single or with an argument value of two or more for a continuous stream of `ENCODERpac` (type 144; 0x90) SIPs. Discontinue the packets with the `ENCODER` command #19 with an argument of zero.

Table 9. `ENCODERpac` SIP contents

LABEL	DATA	DESCRIPTION
Header	integer	Exactly 0xFA, 0xFB
Byte Count	byte	Number of data bytes + 2 (checksum)
Type	byte	0x90
Left Encoder	integer	Least significant, most significant portion of the current accumulated encoder counts from the left wheel
	integer	
Right Encoder	integer	Least significant, most significant portion of the current accumulated encoder counts from the right wheel
	integer	
Checksum	integer	Checksum for packet integrity

BUZZER SOUNDS

Pioneer 3 robots have a piezo buzzer on the User Control Panel that aurally notifies you of system conditions, such as low batteries or stalls. For stealthy operation, issue the `SOUNDTOG` command #92 with an argument of zero to mute the microcontroller's buzzer or argument of one to re-enable it. (See also the `SOUNDTOG FLASH` parameter in the next chapter to set its default state.)

The `SAY` command #15 lets you play your own sounds through the buzzer. The argument consists of a length-specified string of duration and tone pair bytes. The duration is measured in 20 millisecond increments.

A tone value of zero means silence (musical rest). The next 127 frequencies (1-127) are the corresponding MIDI notes. The remaining tones are frequencies computed as:

$$\text{Tone} - 127 * 32$$

equivalent frequencies from 1 to 4096, in 32 Hz increments.

Except for the MIDI notes, you'll just have to experiment with tones. Here is the sequence that generates the ARCOS distress wail when the robot stalls or the batteries are low:

50, 100, 20, 0, 50, 60, 0

TCM2

The TCM2 accessory is an integrated inclinometer, magnetometer, thermometer and compass that attaches to one of the Aux serial ports of the ARCOS microcontroller. When attached and enabled, special TCM2 compass servers read and report the heading in ± 2 degree increments as the `compass` byte in the standard SIP. Use the `TCM2` command 45 to request additional information from the device in the form of the `TCM2pac`. See the *TCM2 Manual* and supporting software that accompanies the device for details.

ONBOARD PC

Communication between the onboard PC and the robot microcontroller is RS-232 serial through the respective COM1 (Windows) or /dev/ttyS0 (Linux) and internal HOST ports. Set the HostBaud FLASH communication rate to match the PC client-software's serial port rate.

The RI pin 9 on the HOST port initializes to low and goes high when the batteries discharge to below the FLASH-set ShutdownVolts value. We use the *genpowerd* software under Linux to detect that low-power signal and automatically shut down the PC. Windows PCs are a bit more problematic.

The Windows *genpowerd*-like *ups.exe* program requires a dedicated serial port and prefers to use the CTS line to indicate low power. Accordingly, we jumper the RI signal of HOST COM1 to the CTS signal pin of the adjacent COM2 port of the onboard PC for the feature. For convenience, the Versallogic VSBC8 PC found onboard most recent Pioneers shares its 20-pin connector on the PC's motherboard with COM1 and COM2. So, to implement Windows *ups.exe*-enabled low-power shutdown, we jumper pin 8 (COM1 RI) to pin 16 (COM2 CTS) on that VSBC8 serial connector. Use a similar strategy for other implementations; the UPS configuration dialog lets you select COM1-4.

Once the port is wired, start up Windows and, as Administrator, go to the Start:Settings:Control Panel:Power Options dialog and select the UPS tab. Click Select and in the UPS Selection dialog, select COM2 (or other) port, Generic manufacturer, and Custom model. Then click Next.

In the UPS Interface Configuration On: COM2 dialog, check the Power Fail/On Battery and its related Position options. Uncheck to disable the Low Battery and UPS Shutdown options. Then click Finish to save the settings and close the dialog. Click OK or Apply to enable the UPS shutdown programs.

Change a registry value so that the PC shuts down one minute instead of two minutes after low-power notification by the microcontroller: Use *regedit* and navigate to [HKEY_LOCAL_MACHINE\SYSTEM\ControlSet001\Services\UPS\Config. Change the ShutdownOnBatteryWait dword value to 1 (from 2).

Use the ARCOS client maintenance command #250 to test your *genpowerd* or *ups.exe* setup. Send a bogus battery voltage as its integer argument below ShutdownVolts to simulate the low battery condition. ARCOS should issue warnings first, then disconnects from the client after about a minute and set the PC-shutdown signal on RI. Restore to the real battery voltage by sending the #250 command with 0 as its argument. Resetting the microcontroller cancels shutdown, too, unless battery power really is very low.

Put the microcontroller into maintenance mode and fix your onboard PC settings if the computer falsely engages *genpowerd* or *ups.exe*.

INPUT OUTPUT (I/O)

Your SH2-based microcontroller comes with a number of I/O ports that you may use for sensor and other custom accessories and attachments. See Appendix A for port locations and specifications.

User I/O

The User I/O connector on the Pioneer 3 microcontroller contains eight digital input (IDO-7) and eight digital output (ODO-7) ports, as well as an analog-to-digital (ANO) port.²¹ The bit-mapped states of the sixteen digital ports and the analog port automatically and continuously appear in the standard SIP in their respective DIGIN, DIGOUT and ANALOG bytes. When not physically connected, the digital input and AN port values may vary and change without warning.

Use the ARCOS client command #30 to set one or more of the eight DIGOUT ports on the ARCOS microcontroller. Electrically, the ports are digital high (1) at ~5 VDC (V_{cc}) and low (0) at ~0 VDC (GND). DIGOUT takes a two-byte (unsigned integer) argument. The first byte is a mask whose bit pattern selects (1) or ignores (0) the state of the corresponding bit in the second byte to set (1) or unset (0) the digital output port.

²¹ Many of these ports are used by the Gripper and other accessories. Alternative I/O is available.

For example, here's the ARCOS client command to set digital output ports zero and three (OD0 and OD3), reset port four (OD4), and leave all the rest alone:

```
250, 251, 6, 30, 27, 25, 9, 55, 36
```

IO packets

Not all analog and digital I/O appears in the standard SIP. Accordingly, your client software may request the `IOpac` SIP (type = 240; 0xF0), which contains all common I/O associated with the microcontroller and which appear on the various connectors, including user I/O, general I/O, bumpers and IRs.

Use the ARCOS client `IOREQUEST` command number 40 with an argument value of zero, one or two. The argument value one requests a single packet to be sent by the next client-server communications cycle. The request argument value of two tells ARCOS to send `IOpac` packets continuously, at approximately one per cycle depending on serial port speed and other pending SIPs. Use the `IOREQUEST` argument value zero to stop continuous `IOpac` packets.

Table 10. *IOpac* packet contents

LABEL	DATA	VALUE	DESCRIPTION
Header	2	0xFA, 0xFB	Common header
Byte count	1	22	Number of data bytes + 2
Type	1	0xF0	Packet type
N DIGIN	1	4	Number of digital input bytes
DIGIN	1	varies 0-255	ID0-8 bits mapped
Frontbumps*	1	varies 0-255	Front bumper bits mapped
Rearbumps*	1	varies 0-255	Rear bumper bits mapped
IRs	1	varies 0-255	IR inputs
N DIGOUT	1	1	Number of digital output bytes
DIGOUT	1	varies 0-255	Digital output byte(s)
N AN	1	9	Number of A/D values
AN	10	5 integers varying 0-1023	Analog ports 0-7 input values at 10-bit resolution: 0-1023 = 0-5 VDC
Battery	2	0-1023	Battery analog input (AN3 Pioneer 3)
Checksum	2	varies	Computed checksum

* Actual, not affected by `InvertBumps` since bumper bits may be used for other digital input besides bumpers.

Bumper and IR I/O

Two 10-position microfit connectors on the ARCOS microcontroller provide 16 digital input ports that are normally used for the bumper accessory, but also available for your own attachments. See *Appendix A* for connector details.

Similarly, the Motor-Power connector on the microcontroller contains eight digital inputs that we normally use for IR sensors on the Performance PeopleBot and PowerBot, and whose states are digitally mapped. See *Appendix B* for connector details.

Normally pulled high (5 VDC=digital port bit value 1), all the bumper and IR bit-mapped switches go low (digital 0) when the respective port gets triggered. Bumper inputs also appear with the stall bits in the standard SIP, but unlike in the `IOpac`, are modified by the `InvertBumps` mask. All the bumper and IR data bits appear in the `IOpac` packet.

Joystick Packet

Use the ARCOS client `JOYREQUEST` command number 17 with an argument value of zero, one or two to request information about the joystick, if it is enabled (see next Chapter). The argument value one requests a single packet (type = 248; 0xF8) to be sent by the next client-server communications cycle. The request argument value of two tells ARCOS to send `JOYSTICKpac` packets continuously, at approximately one per cycle depending on serial port speed and other pending SIPs. Use the `JOYREQUEST` argument value zero to stop continuous `JOYSTICKpac` packets.

LABEL	DATA	VALUE	DESCRIPTION
header	2	0xFA, 0xFB	Common header
Byte count	1	11	Varies
type	1	0xF8	Packet type
button0	1	0 or 1	1=button pressed
button1	1	0 or 1	1=button pressed
X-axis	2	varies 0-1023	Rotation analog
Y-axis	2	varies 0-1023	Translation analog
throttle	2	varies 0-1023	Throttle setting
checksum	2	varies	Computed checksum

Gripper

Please consult the respective Gripper manual for details.

ARCOS supports a `GRIPPERpac` (type=224; 0xE0) packet type and related `GRIPREQUEST` command #37 to retrieve setup and status information from the servers.

Normally disabled, your client program may request one or a continuous stream (command argument greater than one) of Gripper packets. Send `GRIPREQUEST` with the argument value zero to stop continuous packets.

Table 11. `GRIPPERpac` packet contents

LABEL	DATA	DESCRIPTION
header	int	Exactly 0xFA, 0xFB
byte count	byte	Number of data bytes + 2 (checksum)
type	byte	Packet type = 0xE0
hasgripper	byte	Gripper type: 0=none; 1=Pioneer; 2=PeopleBot
grip state	byte	See Table 11 below.
grasp time	byte	Ms time controls grasping pressure.
checksum	integer	Computed checksum

Table 12. `GRIPPERpac` `GRIP_STATE` byte

BIT	FUNCTION	DESCRIPTION
0	Grip limit	Paddles fully open when 0; otherwise between or closed.
1	Lift limit	Lift fully up or down when 0; otherwise in between.
2	Outer breakbeam	Obstructed when 0; nothing in between when 1.
3	Inner breakbeam	Obstructed when 0; nothing in between when 1.
4	Left paddle	Grasping when 0.
5	Right paddle	Grasping when 0.
6	Lift	Moving when 1.
7	Gripper	Moving when 1.

Note that the Gripper status information bits 0-5 also may be obtained from the respective `DIGIN` and `DIGOUT` values of the standard SIP as related to the User I/O port states. See *Appendix A* for connection details.

Heading Correction Gyro

With the gyroscope accessory, your client software may detect and compensate for robot heading changes that aren't detected by the wheel encoders, such as from slipping wheels. The microcontroller supports the gyro via attachment to its AN6 and AN7 analog-to-digital input ports.

ARCOS collects 10-bit (0-1023) gyro rate and 8-bit (0-255) temperature data and will, upon request, send the collected data to a connected client in a `GYROpac` (type=0x98) server information packet for processing. Analysis of the gyro data and subsequent modifications to the robot's heading are done on the client side, as supported in the latest versions (1.3 and later) of ARIA.

To enable the gyro, you must set the `hasGyro` FLASH parameter to one using the `ARCOScf` tool (see next chapter). Set it to 0 if the gyro isn't attached. Then to acquire gyro data, send the `GYRO` command #58 with integer argument of one; zero disables the gyro SIP. The gyro SIP is stopped upon client disconnection or microcontroller reset, too.

ARCOS collects the gyro rate and temperature readings at the maximum rate of once every 25 milliseconds and reports each of these values to the client, when enabled, in the `GYROpac` SIP that

gets sent just before the standard Server Information Packet every `sInfoCycle`, typically every 100ms. `GYROpac` consists of a count byte of the rate and temperature data pairs accumulated since the last cycle (typically 4 for a 100ms cycle time), followed by that number of rate/temperature integer/byte pairs.

Gyro rates are 10-bit integers of value 0-1023. When not moving, the rate is centered around 512 or so, depending on the gyro's temperature and other calibration factors which drift with use and should be corrected on the fly. Values below that center point indicate counter-clockwise rotation rates; values above the resting center measure clockwise rotation rates.

Table 13. `GYROpac` SIP contents

LABEL	DATA	VALUE	DESCRIPTION
Header	2	0xFA, 0xFB	Common header
Byte count	1	xx	Varies
Type	1	0x98	Packet type
N pairs	1	x	Number of gyro data pairs
FOR N PAIRS			
Rate	2	varies 0-1023	Gyro rate
Temperature	1	varies 0-255	Gyro temperature
Checksum	2	varies	Computed checksum

AUTOMATED RECHARGING SYSTEM

The automated recharging accessory and associated charge-management circuitry on the robot may be controlled from the robot's microcontroller.

Digital Port Controls

When set digital high (1), the "inhibit" port OD4 on pin 10 of the User I/O connector (see Appendix A) causes the robot's power-contact mechanism to disengage, retract from the power platform and inhibits its future deployment. The "deploy" port OD5 pin 12, when set high with port OD4 low, deploys the power-contact mechanism with full force to seat it onto the power platform.²²

At the fully deployed position, the mechanism is mechanically stabilized and requires much less force to maintain contact. If in positive contact with the power platform, the robot's onboard circuitry activates and thereafter maintains the actuated mechanism at that lower force as long as it receives power. To minimize heat and eventual damage to the actuator, the deploy line should be activated for only short periods; maximally for 10 seconds at a time.

Your client software may run the automated recharging mechanism by individually activating/deactivating the digital output ports, such as with the `ARCOS DIGOUT` command #30. However for best results, we recommend using ARCOS' automated recharging servers.

Automated Recharging Servers

To use ARCOS' automated recharging servers, you must first enable them in your robot's `FLASH` parameters. Use the `ARCOScf` configuration tool and set the `Charger` parameter value to one (zero to disable) and save the value (see next Chapter).

Thereafter, for autonomous operation of the robot with the automated recharging system, establish a client-server connection between an ARIA- or similar client-enabled PC and the robot's microcontroller. Use the `ARCOS CHARGE` command #68 with an integer argument of one to automatically halt robot motion and deploy the power-contact mechanism. The mechanism automatically retracts after five seconds if the robot does not engage with the power platform, during which time the robot's drive system is unresponsive. Accordingly, your client should wait at least that long before attempting to resume activity.

While the motors are engaged, the charging mechanism cannot be deployed, except by the `CHARGE` command. For best control and safety, consider also using the `ARCOS CHARGE` command number 68 with integer argument of zero to gracefully cancel charging and retract the power-contact mechanism.

²² These output ports and the charge-sensing User I/O-based digital input ports (see below) do not interfere with the Pioneer/PeopleBot Gripper.

In addition to the client-mediated commands, you also may cancel recharging and retract the power-contact mechanism manually with the `CHARGE DEPLOY` button, as described in an earlier chapter. Note that client-mediated auto-recharging behaviors may act to reverse your actions.

For example, the client may, upon untimely loss of recharging power resulting from someone pressing the `Charge Deploy` button, may re-engage the motors and have the robot automatically attempt to re-engage with the charging platform and restart charging.

Your client software may disengage and re-engage the client-server connection without disrupting recharging, as long as the robot's power-contact mechanism remains positively engaged with the power platform and you don't do anything else to otherwise disrupt charging. Once disengaged from the client, the rules for manually engaging and disengaging the mechanism and power apply.

Monitoring the Recharge Cycle

Three digital signals indicate battery recharging states with the automated recharging system. All appear in the standard SIP.

Table 14. Recharging cycle states

CHARGE STATE	OVERCHARGE (ID7)	~VOLTS	CHARGE CURRENT	SIP CHARGING STATE BYTE
Unknown	?	?	?	-1
Not charging	0 or 1	Any	0	0
Bulk	1	discharge~14V	6A	1
Overcharge	0	~14-14.7	decreases to ~1A	2
Float	1	~13.5	< 1A	3

The "power-good" signal appears as both User I/O `DIGIN` bit 6 and as bit 10 of the `FLAGS` integer in the standard SIP, but their states are inversely related: `DIGIN` bit 6, normally high (1) when not charging or when the automated recharging system is not installed, goes low (0) when the system is engaged on the power platform. Conversely, the power-good bit 10 in `FLAGS` normally is low and goes high when the robot is charging. For compatibility with future automated docking systems, we recommend that your client monitor the power-good `FLAGS` bit and not the `DIGIN` line to determine if the robot is getting power from the power platform.

The `DIGIN` and `DIGOUT` bytes of the standard SIP also reflect the states of the associated charging digital input and output bits. `DIGOUT` bits 4 and 5 are the inhibit and deploy output ports described earlier. `DIGIN` bit 7, corresponding to the User I/O connector digital input port ID7 on pin 15, reflects the battery recharge cycle and, with the `Battery` SIP value, helps the autonomous robot client determine immediate battery life and operation times.

The "overcharge" bit ID7 is set (1) when the batteries are well below full charge and the charger is at full charging current. During this "bulk" charging period, the battery voltage rises to around 13.8-14V. The overcharge bit ID7 then drops to low (0) while the batteries charge from approximately 80% to 90% of full charge: from ~13.8 to 14.7V. The charger finally reverts to "float", maintaining full charge at much lower current and charger voltage (~13.5V). In float mode, the overcharge bit ID7 is 0.

ARCOS versions 1.5 and later include a charge state byte at the end of the standard SIP that decodes these charging states for you. Accordingly, by monitoring the charging state byte or the individual power-good and overcharge bits, as well as the battery voltage, your client may make recharging strategy decisions. The thing to remember is that lead-acid batteries last longest when routinely charged into float mode, typically once per day.

Chapter 7 Updating & Reconfiguring ARCOS

The ARCOS firmware and a set of operating parameters get stored in your Pioneer 3 microcontroller's FLASH memory. With special upload and configuration software tools, you change and update ARCOS, too. No hardware modification is required.

WHERE TO GET ARCOS SOFTWARE

Your Pioneer 3 robot comes preinstalled with the latest version of ARCOS. And the various ARCOS configuration and update tools come with the robot on CD-ROM. Thereafter, stay tuned to the `pioneer-users` newsgroup or periodically visit our support website to obtain the latest ARCOS software and related documentation:

`http://robots.MobileRobots.com`

The main utility, `ARCOScf`, is a multi-functional application for both uploading new ARCOS versions as well as modifying your robot's onboard FLASH-based parameters.

ARCOS MAINTENANCE MODE

To connect with and update your robot's ARCOS servers and its FLASH-based operating parameters, you need to first connect a serial port on the PC from which you will run `ARCOScf` to the HOST port of your robot's microcontroller:

- ✓ If you are running from an onboard PC, the computer-to-HOST connection already is made.
- ✓ If you have an onboard PC, but prefer to use an external computer for maintenance, simply power down the onboard computer.
- ✓ If you use radio or Ethernet wireless, switch its power OFF (typically AUX1).
- ✓ When connecting from an external PC, directly tether (no radios) its serial port to the 9-pin DSUB SERIAL connector on the User Control Panel.

Enabling Maintenance Mode

You have three ways in which to put the microcontroller into ARCOS maintenance mode:

- ✓ Start Up
- ✓ Manual
- ✓ Automatic

If for any reason your robot's FLASH parameters get erased or your ARCOS firmware encounters a code fault, your Pioneer 3 microcontroller automatically reverts to its ARSHstub-based maintenance mode.²³ Or if you attach a PC to the SERIAL port on the User Control Panel, open the port through software such as by running `ARCOScf` on that PC, and then reset or otherwise restart the microcontroller, it will automatically revert into maintenance mode.

Like with previous Pioneer microcontrollers, you may manually engage maintenance mode:

1. Press and hold the white `MOTORS` button on the User Control Panel
2. Press and release the adjacent red `RESET` button
3. Release the `MOTORS` button.

Unlike previous microcontrollers and certainly with much more convenience since you don't need to be right next to the robot, `ARCOScf` *automatically* engages maintenance mode when run through an onboard PC. Just start `ARCOScf` and it forces the microcontroller into maintenance mode. It uses the ARCOS command #255 to do that.

The `STATUS` LED on the User Control Panel should flash twice the rate than when in server ("wait") mode and the `BATTERY` LED should shine bright red.

²³ ARSHstub is a resident GDB-like interface for FLASH updates and other debugging uses.

ARCOScf

The ARCOS update and configuration program, `ARCOScf`, is part of a collection of utilities and files for comprehensive management of your Pioneer 3 robot's onboard servers and FLASH-based operating parameters. The distribution archive for the software is simply named `ARCOSV_v` (`V` and `v` are the version major and minor numbers, such as `1_0`), with a `.tgz` suffix for Linux-based PCs or `.exe` for Windows computers.

Install the utilities and files on the PC you plan to use for maintaining your robot's operating system and parameters by double-clicking the distribution software's onscreen icon or otherwise executing the self-extracting, self-installing package. For Linux, `uncompress` and `untar` the files. For example,

```
% tar -zxvf ARCOS1_0.tgz
```

The expanded archive creates an `ARCOS/` directory in the selected Windows or current Linux path and stores the ARCOS software within.

STARTING ARCOScf

`ARCOScf` is a text-based console application which like `demo` is built with ARIA. To start it from a console terminal under Linux, for example, navigate to the ARCOS directory and invoke the program:

```
% cd /usr/local/ARCOS
% ./ARCOScf <options>
```

With Windows PCs, you may double-click the `ARCOScf` icon to automatically open a console window and start the program without any options. To start up with command-line options, `Run` the program from the `Start` menu, or `run Command` from the `Start` menu, then navigate to the ARCOS directory and start `ARCOScf` with options.

For example (after invoking the MSDOS-like command window):

```
C:\> cd Program Files\MobileRobots\ARCOS
C:\Program Files\MobileRobots\ARCOS\> ARCOScf <options>
```

Normally (without any command-line arguments), `ARCOScf` starts up expecting to connect with ARCOS through the PC's `COM1` or `/dev/ttyS0` serial port. If successfully connected, the program automatically retrieves your robot's FLASH-stored operating parameters and enters interactive mode.

Start Up Arguments

`ARCOScf` runs in two stages: startup followed by interactive mode. When invoked, you may start `ARCOScf` with various ARIA and other command-line options. Preface each option with a dash ("`-`"), followed by the argument and argument value, separated by spaces. For example

```
ARCOScf -n
```

starts up the program without connecting with the microcontroller, so that you may examine and maintain disk-based copies of your robot's operating parameters.

Table 15. ARCOS start-up options

ARGUMENT	VALUE	DESCRIPTION
<code>-b</code>	batch commands	Batch mode executes list of <code>ARCOScf</code> interactive-like mode commands with arguments, then exits automatically.
<code>-u</code>	motfile	Automatically upload an ARCOS (<code>.mot</code>) motfile after connecting with the microcontroller.
<code>-l</code>	paramsfile	Load the disk-stored params (<code>.rop</code>) file instead of the robot's copy
<code>-n</code>	none	Don't connect with the microcontroller
<code>-rp</code>	serial-device	Uses specified serial port for connection
<code>-rb</code>	baudrate	Specify the port connection baud rate
<code>-s</code>	paramsfile	On exit from <code>ARCOScf</code> , automatically save the current parameter values to the named <code>.rop</code> paramsfile

To start up ARCOScf and make a connection with a serial port other than the default COM1 or ttyS0:

```
C:\Program Files\MobileRobots\ARCOS> ARCOScf -rp COM3
```

Similarly, these startup arguments tells ARCOScf to upload a fresh copy of the firmware to your robot's microcontroller and then exits:

```
% ./ARCOScf -d ARCOS1_0.mot -n -b
```

CONFIGURING ARCOS PARAMETERS

Your robot has several parameters stored in FLASH that ARCOS uses to configure its servers and auxiliary attachments and to uniquely identify your robot. For instance, the default maximum translation velocity is stored in the `TransVelMax` parameter. Its value takes effect when starting your robot or after resetting the microcontroller, and may be changed temporarily by a client command. Use ARCOScf's batch or interactive modes to modify these operating parameters, and hence your robot's default operating characteristics.

Start up ARCOScf as described in the previous section. As discussed earlier, ARCOScf normally downloads the set of operating parameters from your robot's FLASH for your review and modification. Or you may load a disk-stored version of those parameters.

Interactive Commands

To operate ARCOScf in interactive mode, simply type a keyword at its command prompt. Some keywords affect the operation of ARCOScf or the status of the parameters file as a whole. For instance, to review the list of current ARCOS FLASH variables, type 'v' or 'view' followed by a return (Enter). Each successive return will display additional variable keywords and current values. Similarly, type '?' or 'help' to see a list of ARCOScf interactive commands.

Changing Parameters

Most keywords refer to the operating parameters themselves. Alone, a parameter's keyword simply asks ARCOScf to display the parameter's value. Provide an value with the parameter keyword separated by a space to change it. That value may be a string (no quotes or spaces) or a decimal or hexadecimal ("0xN") number. For example, to change the `watchdog` timeout to four seconds, type:

```
> watchdog 4000
```

or

```
> watchdog 0xfa0
```

See the respective control command and parameter Tables nearby for a full description of ARCOScf operation.

SAVE YOUR WORK

While changing parameter values in ARCOScf interactive mode, you are editing a temporary copy; your changes are not put into effect in your robot's FLASH until you explicitly "save" them to the microcontroller.

Also use the ARCOScf `save` command to save a copy of the parameters to a disk file for later upload. We strongly recommend that you save each version of your robot's parameter values to disk for later retrieval should your microcontroller get damaged or its FLASH inadvertently erased. Default parameter files come with each ARCOS distribution, but it is tedious to reconstruct an individual robot's unique configuration.

Table 16. ARCOScf interactive commands

COMMAND	DESCRIPTION
keyword <value>	Alone, a keyword displays current, edited value. Include a value to change it.
v or view	Display FLASH parameters.
u or upload <motfile>	Upload specified ARCOS image (.mot) file to the microcontroller.
r or restore <paramsfile>	Restore parameters to values currently stored in FLASH or, if given, from a paramsfile (.rop) on disk
save <paramsfile>	Saves current edited values to FLASH or saves current edited values to paramsfile (.rop) on disk for later reference.
q or quit	Exits ARCOScf.
? or help	Displays these commands and descriptions.

Table 17. Sample ARCOS FLASH configuration parameters with values for Pioneer 3-DX

KEYWORD	DATA	DEFAULT	DESCRIPTION
type	str	Pioneer	Identifies the robot type.
subtype	str	P3DX-SH	Identifies the robot model.
name	str	P3-DX	Unique name for your robot. Maximum of 20 characters, no spaces.
sernum	str	Serial	Serial number for the robot.
ticksmm	int	128	Encoder ticks/mm: (4 x ticks per rev x gear-ratio) / (wheel diameter x Π)
revcount	int	16570	The number of differential encoder ticks for a 180-degree revolution of the robot.
driftfactor	int	0	Value in 1/8192 increments to be added or subtracted from the left encoder ticks in order to compensate for tire differences.
battconv	byte	0	0 if a 12V system; 1 if 24V
lowbattery	int	115	In 1/10 volts; microcontroller alarm activated when battery charge falls below this value.
shutdownvolts	int	108	In 1/10 volts; microcontroller disconnects client and signals onboard PC to shutdown when battery charge falls below this value.
hostbaud	byte	0	Baud rate for client-server HOST serial: 0=9.6k, 1=19.2k, 2=38.4k, 3=56.8k, 4=115.2k.
auxbaud1	byte	0	Baud rate for AUX serial port 1; see HostBaud
auxbaud2	byte	0	Baud rate for AUX serial port 2; see HostBaud
auxbaud3	byte	0	Baud rate for AUX serial port 3; see HostBaud
sipcycle	byte	100	Server information packet cycle time in 1 ms increments. Default is classic 100 ms.
watchdog	int	2000	Ms time before robot automatically stops if it has not received a command from a client. Restarts on restoration of connection.
soundtog	byte	1	0 disables the buzzer
sonarcycle	byte	40	Sonar cycle time in milliseconds
sonar1	str	12345678	Ping sequence for sonar array #1. Up to 16 number characters 1-8; 0 to disable the array
sonar2	str	0	Ping sequence for array #2. See sonar1 above
sonar3	str	0	Ping sequence for array #3. See sonar1 above
sonar4	str	0	Ping sequence for array #4. See sonar1 above
hasgyro	byte	0	Set to 1 if you have the gyro accessory
hasbrakes	byte	0	1 if your robot has brakes; 0 if not.
charger	byte	0	Set to 1 if P3/PeopleBot or 2 if PowerBot autocharger mechanism and circuitry installed; otherwise 0
chargethreshold	int	0	PowerBot only
gripper	byte	0	Set to 1 if DX/AT Gripper; 2 if Gripper on Performance PeopleBot
tcm2	byte	0	TCM2 module, if connected, specify AUX port number 1, 2, or 3

lcd	byte	0	LCD module, if attached, specify AUX port number 1, 2, or 3
frontbumps	byte	0	Number of front bumper segments
rearbumps	byte	0	Number of rear bumper segments
invertbump	byte	0	0=none; 1=front; 2=rear; or 3=invert both; affects STALL bits in std. SIP only.
bumpstall	byte	0	0=disable bump stall; 1=enable rear; 2=enable front; 3=enable both front and rear bump stalls
stallval	int	200	Maximum PWM before stall. If > PwmMax, never.
stallcount	int	200	Ms time motors disabled after a stall for recovery.
pwmmax	int	500	Maximum motor PWM (500 maximum).
rotveltop	int	360	Maximum rotation velocity; deg/sec
transveltop	int	1500	Maximum translation speed; mm/sec
rotacctop	int	300	Maximum rotation (de)acceleration; deg/sec ²
transacctop	int	2000	Maximum translation (de)acceleration; mm/sec ²
rotvelmax	int	100	Max rotation speed; deg/sec.
transvelmax	int	750	Max translation speed; mm/sec.
rotacc	int	100	Rotation acceleration; deg/sec ²
rotdecel	int	100	Rotation deceleration; deg/sec ²
rotkp	int	40	Proportional PID for rotation
rotkv	int	20	Differential PID for rotation
rotki	int	0	Integral PID for rotation
transacc	int	300	Translation acceleration; mm/sec ²
transdecel	int	300	Translation deceleration; mm/sec ²
transkp	int	40	Proportional PID for translation
transkv	int	30	Differential PID for translation
transki	int	0	Integral PID for translation
joystick	byte	0	Joystick type: 0=analog, 1=inductive
joyvelmax	int	750	Joydrive maximum translation velocity
joyrvelmax	int	50	Joydrive maximum rotation velocity

PID PARAMETERS

The ARCOS configuration parameters include settings for the PID motor controls for translation and rotation of the robot. The translation values also are used for independent-wheel mode. The default values are for a lightly loaded robot. Experiment with different values to improve the performance of your robot in its current environment.

The Proportional PID (Kp) values control the responsiveness of your robot. Lower values make for a slower system; higher values make the robot "zipper", but can lead to overshoot and oscillation.

The Derivative PID (Kv) dampens oscillation and overshoot. Increasing values gives better control of oscillation and overshoot, but they also make the robot's movements more sluggish.

The Integral PID (Ki) adjusts residual error in turning and velocity. Higher values make the robot correct increasingly smaller errors between its desired and actual angular position and speed.

DRIFTFACTOR, TICKSMM AND REVCOUNT

ARCOS uses the `ticksMM` and `revCount` parameters to convert your platform-independent speed and rotation commands—typically expressed in millimeters or degrees, respectively—into platform-dependent units. And it uses `driftFactor` to compensate for tire differences.

The `ticksMM` value is the number of encoder pulses ("ticks") per millimeter of wheel rotation. The value is, of course, dependent upon the wheel encoder's resolution, the motor-to-wheel gear ratio and the wheel's diameter.

The `revCount` value is the number of encoder ticks for a 180-degree turn of the robot. It depends on a number of factors, principally the length of the wheel base which may change due to payload, tire wear, operating surface and so on.

The `driftFactor` is a value in 1/8192 units that gets added or subtracted from the left-wheel encoder count at each motor cycle. In doing so, it compensates for tire difference and thereby straightens the robot's translation forward and backward.

Table 18. Some platform-dependent parameters

PARAMETER	VALUES		
	P3DX	P3AT	PERF PB
encoder ticks/rev	500	500	500
gear ratio	38.3	49.8	38.3
wheel diam (mm)	195	220	195
encoder ticks/mm	132	138	132

The `ticksMM` and `revCount` parameters affect the conversion of your motion command arguments into platform-dependent values used by ARCOS. Unlike previous firmware, ARCOS also uses `ticksMM` and `revCount` to convert its internal measures into platform-independent position, heading and velocity values that it sends to the client in the standard SIP, such as `X-Pos` and `Th`. Accordingly, you'll notice that the respective ARIA client parameters have many conversion factors like `DistConvFactor` set to 1.0.

STALLVAL AND STALLCOUNT

An ARCOS stall monitor maintains a running average of PWM values for each wheel over a 500 millisecond integration period. PWM values get added to the sum if the wheel speed is below 100 mm/sec. The average is then compared with the `stallVal` FLASH value. If it exceeds that value, in other words the motors are being given lots of power but are barely moving if at all, a stall occurs. Once stalled, power is removed and the motors relax for the `stallWait` period, after which power gets reapplied.

BUMPERS

Use the `bumpStall` FLASH parameter to set the default for the robots behavior when its front and/or rear bumper gets triggered. Normally, `bumpStall` is engaged for both front and rear (default value of 0) bumpers. Reset it to 3 to disengage bump stalls altogether; 1 to trigger stalls only when the rear bumpers engage; or 2 for front bumps only.

You may over-ride the `bumpStall` FLASH default with the `BUMPSTALL` client command #44, although the command arguments are the reverse: enabling versus disabling the various bumper-stall combinations. Your robot's `bumpStall` behavior reverts to the FLASH default on reset and up disconnection from the client.

ARCOS implements three FLASH parameters that specify states and numbers of front and rear bumper segments. Set the `frontBumps` and `rearBumps` values to the number of bumper segments for the front and rear bumpers, respectively; or to 0 if you don't have a particular bumper. The number of segments is used to isolate the bumper bits, if any, so that a triggered bumper event is reported correctly in the `STALL` values of the standard SIP. Use the `invertBump` FLASH parameter to invert those bumper-related `STALL` values, but not the hardware-related states reported in the `IOpac`.

The `frontBumps` and `rearBumps` byte values also are reported near the end of the `CONFIGpac`. If for any reason you remove a bumper from your robot, you MUST reset the associated `frontBumps` or `rearBumps` FLASH value. Otherwise, the robot will stall incessantly and ARIA won't let you drive.

Chapter 8 Calibration & Maintenance

Your MOBILEROBOTS platform is built to last a lifetime and requires little maintenance.

TIRE INFLATION

Maintain even tire inflation for proper navigation of your Pioneer 3-AT. We ship with each pneumatic tire inflated to 23 psi. If you change the inflation, remember to adjust the `driftFactor`, `ticksMM`, and `revCount` FLASH values.

CALIBRATING YOUR ROBOT

Your robot comes with FLASH parameters adjusted for operation on smooth, flat surfaces with its original payload. If you operate your robot on some different surface and with lighter or heavier loads, you probably will need to recalibrate many of its operating parameters, such as `driftFactor`, `revCount`, `ticksMM` and the PIDs.

The ARIA `demo` program has two modes to help you do that. In 'p'osition mode, `demo` displays current heading and position. Press the 'r' key to reset these to 0 at any time. Press the right or left arrow key to have the robot rotate 90 degrees either clockwise or counterclockwise, respectively. The up and down arrow keys tell the robot to advance forward or backward one meter, respectively.

ARIA `demo`'s 'd'irect mode lets you change the variety of operating parameters on-the-fly by letting you send an ARCOS client command number and value to be used during the current session. To replace the default values in FLASH, use `ARCOScf`.

Accordingly, to properly calibrate your robot, first use `ARCOScf` and record and save on disk the current values for the respective parameters, such as for `driftFactor` and `revCount`. Then connect with the ARIA `demo` and engage position mode to move the robot. As accurately as possible, measure its actual motion and position and use `demo`'s direct mode to adjust the reported values for your robot's current configuration and operating environment.

For example, start with `driftFactor` since its value affects both `ticksMM` and `revCount`. Draw a line on the floor parallel to the robot's translation travel and drive the robot forward or back at least five meters. Adjust `driftFactor` (command #89) to minimize the robot's drift off that line.

Then drive the robot forward or back one or more meters and compare its actual translation distance you accurately measure with `demo`'s ARCOS-reported distance (x) in millimeters. Adjust `ticksMM` (command #93) so that the numbers match.

Likewise, rotate your robot and compare your measured rotation angle to the reported heading (`th`). Adjust `revCount`—the measure of differential encoder ticks to achieve 180-degrees rotation—accordingly (command #88).

Finally, drive the robot around and adjust its PID, velocity and acceleration values to achieve the desired performance for the operating configuration.

When you are satisfied that the robot moves and rotates the proper distances and headings, and drives with the proper performance, commit those new values into their related FLASH parameters in your robot with `ARCOScf` and don't forget to save a copy in a `.rop` file for later reference.

DRIVE LUBRICATION

Pioneer 3 drive motors and gearboxes are sealed and self-lubricating, so you need not fuss with grease or oil. An occasional drop or two of oil on the axle bushings between the wheels and the case won't hurt. And keep the axles clear of carpet or other strings that may wrap around and bind up your robot's drive.

BATTERIES

Lead-acid batteries like those in your Pioneer 3 robot last longest when kept fully charged. In fact, severe discharge is harmful to the battery, so be careful not to operate the robot if the battery voltage falls below 11 VDC.

Changing Batteries

CAREFUL!
The Batteries slide in
TERMINALS LAST!

Except for those equipped with the automated recharging system, your Pioneer robot has a special battery harness and latched doors for easy access to the onboard batteries. Simply unlatch the rear door, swing it open and locate the one to three onboard batteries inside.

To remove a battery, simply grasp it and pull out. We provide a suction-cup tool to help. Spring-loaded contacts eliminate the need to detach any connecting wires.

Similarly, insert batteries by simply sliding each one into a battery box compartment. Load the batteries so that their weight gets distributed evenly across the platform: Center a single battery and place two batteries one on each side.

Hot-Swapping the Batteries

You may change the batteries on your Pioneer 3 without disrupting operation of the onboard systems (except the motors, of course): Either connect the charger, which powers the robot's systems while you change the battery or batteries. Or, if you have two or three batteries, swap each with a freshly charged one individually, so that at least one battery is in place and providing the necessary power.

Charging the Batteries

If you have the standard charger accessory, insert it into a standard 110 or 220 (Europe/South America/Asia) VAC wall power receptacle. (Some users may require a special power adapter.) Locate the round plug at the end of the cable that is attached to the charger and insert it into the charge socket that is just below your robot's Main Power switch. The LEDs on the charger indicate charge status, as marked on its case.

It takes fewer than 12 hours—often just a few hours, depending on the level of discharge—to fully charge a battery using the accompanying charger (roughly, three hours per volt per battery). Although you may operate the robot while recharging, it restricts the robot's mobility.

Automated Docking/Charging System

The automated docking/charging system accessory optimally conditions power to charge the three 21-Ahr, 12 VDC lead-acid batteries (6 A charging current max) and provides sufficient power (up to 5A) for operation of all onboard systems.

The charging mechanism and onboard power conditioning circuitry can be retrofitted to all Pioneer 3 and some Pioneer 2 and PeopleBot robots. All require return to the factory.

Alternative Battery Chargers

The center post of the charger socket is the positive (+) side of the battery; the case is the negative (-) side. A diode protects against the wrong charger polarity. Nonetheless, if you choose to use an alternative battery charger, be sure to connect positive to positive and negative to negative from charger to robot.

An alternative AC to DC converter/battery charger should sustain at least 0.75A at 13.75 to 14 VDC per battery, and not more than 2-2.5 amperes per battery. The High-Speed Charger accessory, for example, is a four ampere charger and should be used with at least two of the standard batteries.

An alternative charger also should be voltage-and current-limited so that it cannot overcharge the batteries.

TIGHTENING THE AT DRIVE BELT

Occasionally, particularly after heavy use, the Pioneer 3- or 2-AT drive belts that mechanically link the front and rear motors on each side will loosen and slip, resulting in a load popping noise. To tighten them, start with a 3mm hex key to loosen, but not remove, the three screws on the side of the robot near the front wheel. One screw is partly behind the wheel, so with our parts kit, we included a 3mm hex key with a shortened “L” section to fit behind the wheel.

Remove the small plastic plug which is near the hinge on the top plate and near the edge by the wheel. Under it, you will see the head of a large hex bolt. This bolt tightens (clockwise) or loosens (counter-clockwise) the drive belt for that side of the robot. Turn it using a 5mm hex key probably not more than 1 full rotation. Avoid over tightening.

Test to make sure that it is tight enough by holding the wheel while running the self test. When adjusted satisfactorily, re-tighten the screws on the side and replace the plug.

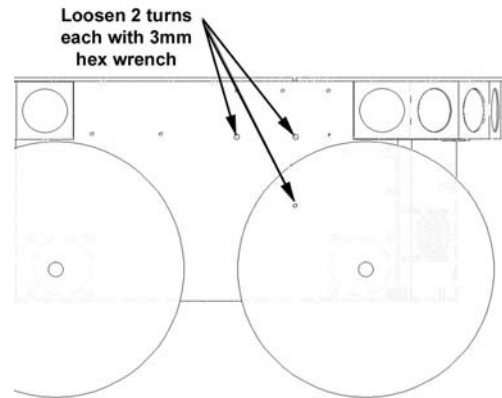


Figure 21. Loosen the AT drive belt retainer screws first.

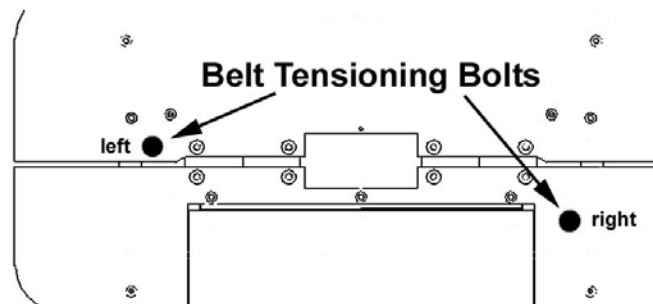


Figure 22. Locations of the P3-AT's belt-tensioning bolts

GETTING INSIDE

We discourage you from opening up your robot. However, on occasion, you may need to get inside, for instance to access the user power connections on the Motor-Power board and attach your custom electronics. Or you may need to get to your onboard computer and its accessories.

We describe here how to remove your robot's nose to get at the onboard computer. And we describe how to access the contents of the body of your Pioneer 3 robot.

Removing the Nose

The Pioneer 3-DX and -AT onboard computer sits just behind the robot's nose. And you may have to remove the nose to access the front sonar array's gain adjustment pot. Two screws hold the nose to the front sonar (or blank) array. The AT also has a screw at the bottom of the nose that attaches to the body; the DX's nose is hinged at the bottom.

Remove all nose retaining screws with the 3mm hex wrench supplied with your robot. Unlike earlier Pioneer 2 models, you do not have to remove the Gripper or the front bumper accessories.

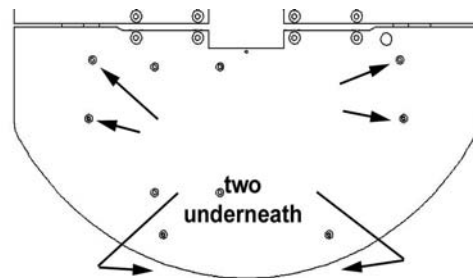


Figure 23. Remove indicated screws to access the front plate of Pioneer 3-DX and -AT robots.

Once loosened, the DX nose pivots down on a hinge. For the AT model, four pins along the nose's back edges guide it onto the front of the robot. Simply pry the nose out and away from the body.

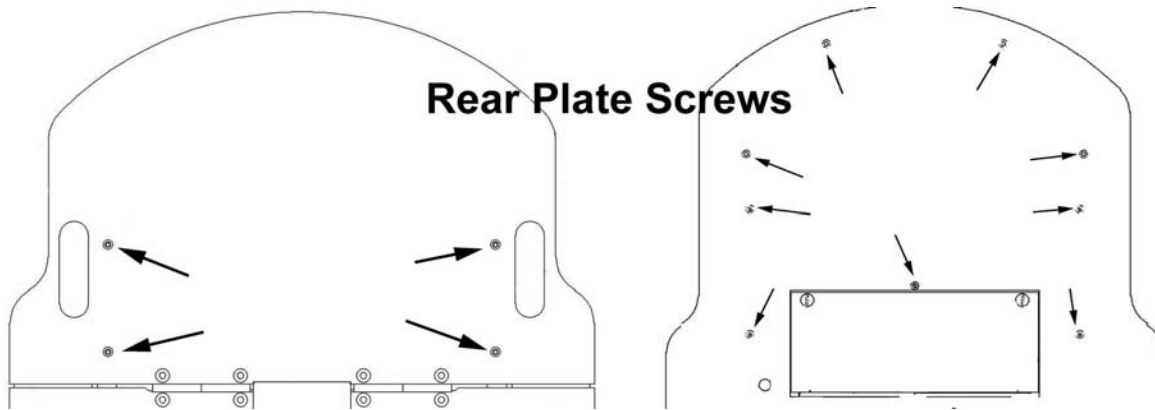


Figure 24. Remove indicated screws from Pioneer 3-DX or -AT rear deck to open plate.

Careful: The computer's hard-drive, fan, and speaker have attached wire harnesses that you need to relieve before completely detaching the nose from the body. We recommend unplugging the speaker wire and simply rotating the nose out of the way to access the onboard computer.

Opening the Deck

All Pioneer 3 robots have a center hinge in the deck which let you easily open and access internal components without completely removing the top plate. Simply remove the indicated 3mm screws shown in the Figures nearby from the section of the deck that you want to access. You may need to first remove any accessories that are bolted to the top plate through the indicated holes.

Remove the batteries BEFORE opening the robot.

FACTORY REPAIRS

If, after reading this manual, you're having *hardware* problems with your Pioneer 3 robot and you're satisfied that it needs repair, contact us:

<http://robots.MobileRobots.com/techsupport>

Tell us your robot's SERIAL NUMBER

Describe the problem in as much detail as possible. Also include your **robot's serial number** (IMPORTANT!) as well as name, email and mail addresses, along with phone and fax numbers. Tell us when and how we can best contact you (we will assume email is the best manner, unless otherwise notified).

Use MOBILEROBOTS authorized parts ONLY;
warranty void otherwise.

We will try to resolve the problem through communication. If the robot must be returned to the factory for repair, obtain a shipping and repair authorization code and shipping details from us first.

We are not responsible for shipping damage or loss.

Appendix A

MICROCONTROLLER PORTS & CONNECTORS

This Appendix contains pin-out and electrical specifications for the external and internal ports and connectors on the SH2-based microcontroller for the Pioneer 3, PeopleBot and PowerBot, including motor-power interface and User Control boards.

Note that layered connectors are numbered differently, depending on the socket type. IDC ones are odd and even layers; microfit connectors use successive-position numbering.

See the Figures nearby for examples.

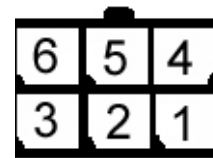


Figure 25. Mini- and micro-fit style connector numbering

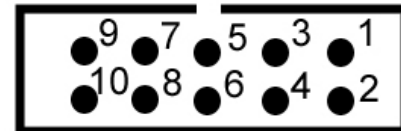


Figure 26. IDC-type connector numbering

SH2 MICROCONTROLLER

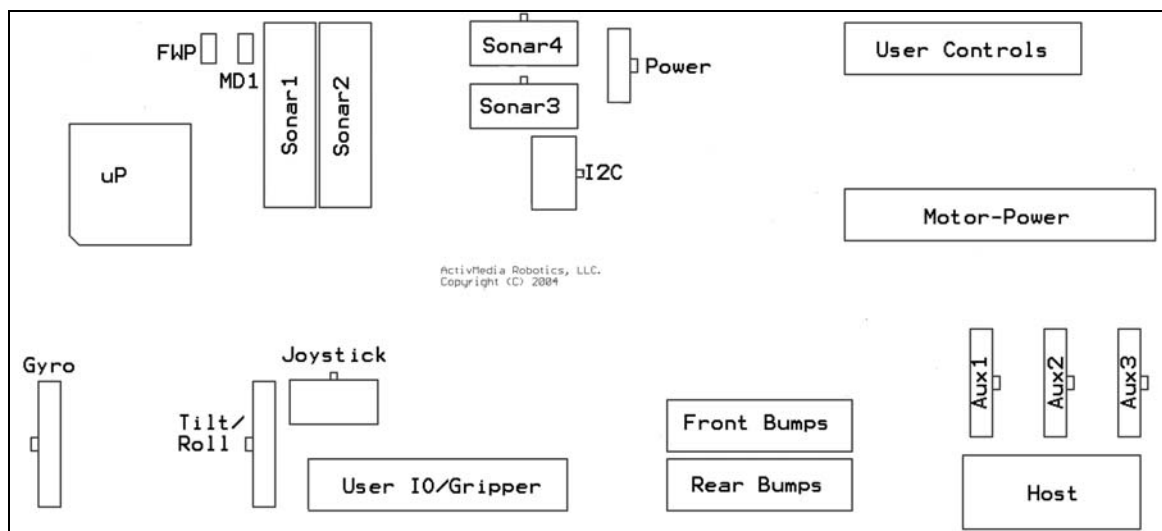


Figure 27. Connectors on the SH2-based controller

Main Power

The power connector is a 3-pin microfit socket that delivers 12 and 5 VDC to the microcontroller, including power ground.

Table 19. Microcontroller Power Connector

PIN	DESCRIPTION
1	12 VDC (battery)
2	GND
3	5VDC

Serial Ports

One DSUB-9 and three 5-position microfit sockets provide the HOST and Aux1-Aux3 auxiliary serial ports for the SH2 microcontroller. All are RS-232 compatible. The HOST port is shared on the User Control Panel's SERIAL port and is for ARCOS client-server and maintenance connections. The HOST serial connector also has signal lines for detecting an attached device (DTR pin 4) and for notifying the attached PC of low-power condition (DSR pin 6 and HRNG pin 9). The HOST serial connectors are wired DCE for direct connection (straight-through cable, not NULL-modem) to a standard PC serial port. See the nearby Tables for details.

The Aux1 through Aux3 serial ports are for RS232-compatible serial device connections, such as for the TCM2 accessory or any of several pan-tilt-zoom robotic systems.²⁴

The serial ports operate at any of the common data rates: 9.6, 19.2, 38.4, 57.8, or 115.2 kilobits per second, and with eight data bits, one stop bit, no parity or hardware handshaking.

Table 20. HOST serial ports on microcontroller and on User Control (*) (DSUB-9 socket)

PIN	SIGNAL	DESCRIPTION	PIN	SIGNAL	DESCRIPTION
1	nc		2	*TXD	Signal out
3	*RCV	Signal in	4	DTR	Input detects attached device and switches TxD and RxD into the uC
5	*GND	Common	6	*DSR	Output when microcontroller powered
7	nc		8	nc	
9	†HRING	Output lowered to signal PC shutdown			

† Shared on User Control Board interface

Table 21. Aux1, Aux2, and Aux3 serial ports (5-pos microfit sockets)

PIN	SIGNAL	DESCRIPTION	PIN	SIGNAL	DESCRIPTION
1	DTR	Aux1 only	2	TXD	Signal out
3	RCV	Signal in	4	DSR	Output active
5	GND	Common			

User I/O, Gripper and Automated Recharger

A 20-pin latching IDC socket on the microcontroller provides the digital, analog and power ports for user connections and for the Gripper and automated recharging accessories, if installed. Indicated ports (*) are shared on other connectors. Digital inputs are buffered and pulled high (digital 1); outputs are buffered and normally low (digital 0).

Table 22. User I/O – Gripper (20-pos latching IDC)

PIN	SIGNAL	DESCRIPTION	PIN	SIGNAL	DESCRIPTION
1	OD0	DIGOUT bit 0; Gripper enable	2	ID0	DIGIN bit 0; Paddles open limit
3	OD1	DIGOUT bit 1; Gripper direction	4	ID1	DIGIN bit 1; Lift limit
5	OD2	DIGOUT bit 2; Lift enable	6	ID2	DIGIN bit 2; Outer breakbeam IR
7	OD3	DIGOUT bit 3; Lift direction	8	ID3	DIGIN bit 3; Inner breakbeam IR
9	ID4	DIGIN bit 4; Left paddle contact	10	OD4	DIGOUT bit 4; "inhibit"
11	ID5	DIGIN bit 5; Right paddle contact	12	OD5	DIGOUT bit 5; "deploy"
13	ID6	DIGIN bit 6; "power good"	14	OD6	DIGOUT bit 6; User only
15	ID7	DIGIN bit 7; "overcharge"	16	OD7	DIGOUT bit 7; User only
17	*AN0	Analog port 0	18	Vcc	5VDC < 1A
19	Vpp	Battery 12VDC < 1A	20	Gnd	Signal/power common

²⁴ Note that on some original boards the Aux ports 1 and 2 were mislabeled. The Figure is correct for all boards.

Motors, Encoders and IRs

A 26-position latching IDC connector on the microcontroller provides interface to the Motor-Power Board (Appendix B). Line descriptions also can be found in the following Motor-Power Interface section.

Table 23. Motors, encoders, and IRs interface (26-pos latching IDC)

PIN	SIGNAL	DESCRIPTION	PIN	SIGNAL	DESCRIPTION
1	LPWM	Left motors PWM	2	LDIR	Left motors direction
3	RPWM	Right motors PWM	4	RDIR	Right motors direction
5	MEN	Motors enable	6	LEA	Left encoder channel A
7	E-STOP	E-Stop detect input	8	REA	Right encoder channel A
9	RPWR	Aux1 power enable	10	REB	Right encoder channel B
11	APWR	Aux2 power enable	12	LEB	Left encoder channel B
13	CHRG	Charge port detect	14	IR6	IR input bit 6
15	IR7	IR input bit 7	16	IR4	IR input bit 4
17	IR5	IR input bit 5	18	IR2	IR input bit 2
19	IR3	IR input bit 3	20	IR0	IR input bit 0
21	IR1	IR input bit 1	22	VBAT	Battery voltage
23	Gnd	Signal common	24	AN1*	Analog input
25	Gnd	Signal common	26	AN2*	Analog input

* Board versions C and earlier pin 24 HOST RI and pin 26 ground.

Joystick

An 8-position microfit socket provides signal lines for connection to the inductive joystick accessory. Indicated lines (*) are shared on other connectors.

Table 24. Joystick connector (8-pos microfit)

PIN	SIGNAL	DESCRIPTION	PIN	SIGNAL	DESCRIPTION
1	Vcc	5 VDC	2	FB0	Fire button 0
3	*AN4	Turn Y-axis	4	AGND	Analog GND
5	*AN3	Drive X-axis	6	FB1	Fire button 1
7	*AN0	Throttle	8		nc

Bumpers

Two 10-position latching IDC connectors provide general-purpose digital inputs, typically used for the robot's bumpers. All inputs are buffered and pulled high (digital 1).

Table 25. Bumper ports (10-pos latching IDC)

PIN	SIGNAL	DESCRIPTION	PIN	SIGNAL	DESCRIPTION
1	BP0	Bumper bit 0	2	BP1	Bumper bit 1
3	BP2	Bumper bit 2	4	BP3	Bumper bit 3
5	BP4	Bumper bit 4	6	BP5	Bumper bit 5
7	BP6	Bumper bit 6	8	BP7	Bumper bit 7
9	Gnd	Common	10	Gnd	Common

Sonar

Four connectors—two latching 10-pos IDC and two 10-pos microfits—provide signal and power for the four sonar arrays SONAR1 through SONAR4, respectively.

Table 26. Sonar

PIN	SIGNAL	DESCRIPTION	PIN	SIGNAL	DESCRIPTION
1	A0	disc address	2	A1	disc address
3	A2	disc address	4	BINH	inhibits return signal
5	INIT	starts sonar ping	6	VCC	5 VDC
7	VCC	5 VDC	8	SGND	Common
9	SGND	Common	10	ECHO	Goes high if echo threshold reached

User Control Board

A 16-position latching IDC connector provides interface with the User Control Panel board and functions. See description in a following section.

Table 27. User Control Panel interface

PIN	SIGNAL	DESCRIPTION	PIN	SIGNAL	DESCRIPTION
1	Vcc	5 VDC power	2	Vcc	5 VDC power
3	RST	RESET button	4	MOT	MOTORS button
5	RPWR	Radio power switch	6	APWR	Aux power switch
7			8	BZR	Buzzer PWM
9	PLED	Main power	10	SLED	Status
11	Vpp	Battery 12 VDC	12	Gnd	Signal/power common
13	Gnd	Signal/power common	14	HTXD	HOST serial transmit
15	HDSR	HOST serial enabled	16	HRCV	HOST serial receive

Heading Correction Gyro

The heading-correction gyro accessory attaches directly with the microcontroller through its respective 6-position microfit connector. Indicated lines (*) are shared on other connectors.

Table 28. Heading correction gyro connector

PIN	SIGNAL	DESCRIPTION	PIN	SIGNAL	DESCRIPTION
1	nc		2	VCC	5 VDC power
3	RATE	AN6	4	TEMP	AN7
5	AGND	Analog gnd	6	GND	Power ground

Tilt/Roll

Another six-position connector provides signal and power for an accelerometer-based tilt/roll accessory. Indicated lines (*) are shared on other connectors.

Table 29. Tilt/roll accessory connector

PIN	SIGNAL	DESCRIPTION	PIN	SIGNAL	DESCRIPTION
1	nc		2	VCC	5 VDC power
3	XAXIS	Pitch AN4	4	YAXIS	Roll AN5
5	AGND	Analog gnd	6	GND	Power gnd

I²C

A six-position microfit contains the signals and power to interface with I²C bus-enabled devices, such as the 4-line x 20-character LCD accessory.

Table 30. I²C bus connector

PIN	SIGNAL	DESCRIPTION	PIN	SIGNAL	DESCRIPTION
1	SDA	Data	2	nc	
3	VCC	5 VDC power	4	SCL	Clock
5	CGND	Shield gnd	6	GND	Power/signal gnd

Appendix B

Motor-Power Distribution Board

MOBILEROBOTS' original Pioneer 2 robots had two separate boards which interface with their respective microcontroller to provide power for the motors as well as conditioned power and signal paths for the standard and accessory onboard electronics. Pioneer 3s have just a single Motor-Power Board. Consult *Appendix A* for microcontroller and User Control Panel interface details.

MOTOR-POWER BOARD

The Motor-Power Board contains all the features of the two-board legacy system and lots more.

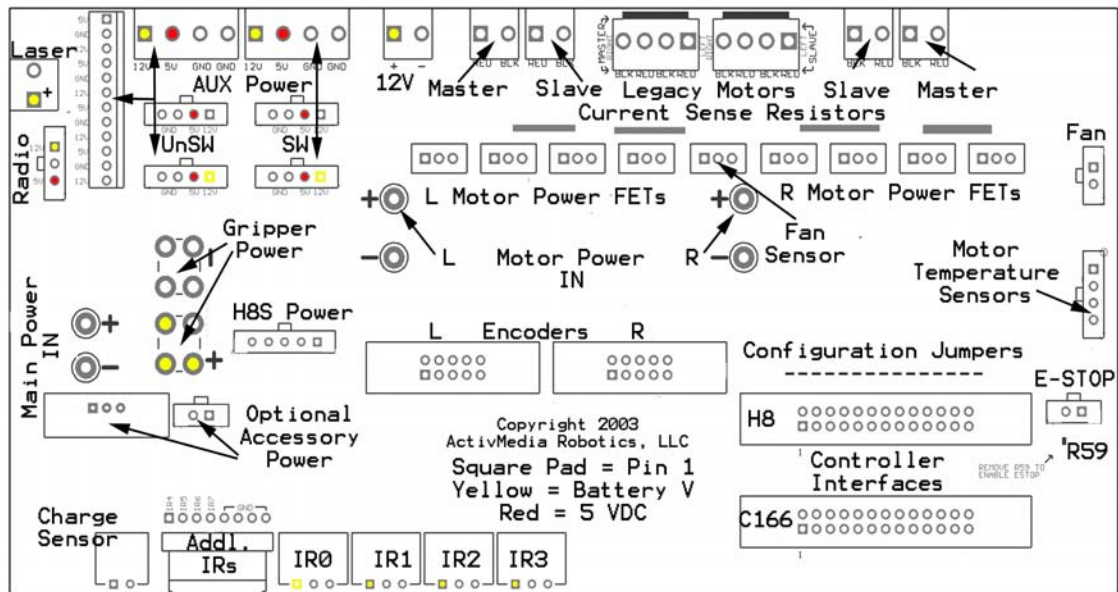


Figure 28. Pioneer 3 Motor-Power Board

Microcontroller Power

Individual 26-pos IDC connectors and cables provide signal for the H8S- and SH2-based microcontrollers or for the legacy C166-based microcontrollers. A separate cable and connector provides for the SH2 microcontroller and sonar power. Power and signal are shared on the C166 microcontroller connector.

Table 31. Power connector (5-pos microfit)

PIN	FUNCTION	DESCRIPTION
1	Vbat	Battery power
2	Gnd	Power common
3	Vcc	5 VDC for sonar
4	Vcc	5 VDC for sonar
5	nc	No connection

Radio, Auxillary and User Power Connectors

Various connectors provide conditioned 5 VDC @ 1.5A total and unconditioned battery power for the variety of accessories and custom user attachments. Some are AUX1 and AUX2 power switched from the User Control Panel. Use the 12-position latchlock connector for legacy installations. Otherwise,

Appendix B: Motor-Power Distribution Board

screw-down auxiliary user-power connectors make custom attachments easy. Four-position microfit connectors also provide AUX power for standard accessories.

Table 32. User Control Panel-switched AUX1 (formerly RADIO) power connector (3-pos microfit)

PIN	FUNCTION	DESCRIPTION
1	Vpp	AUX1 (formerly radio) switched battery 12 VDC
2	Gnd	Power common
3	Vcc	AUX1 (formerly radio) switched 5 VDC

Table 33. User Control Panel-switched and unswitched Aux power connectors (4-pos microfits and screw-down terminal blocks)

PIN	FUNCTION	DESCRIPTION
1	Vpp	Aux switched battery 12 VDC
2	Vcc	Aux switched 5 VDC
3	Gnd	Power common
4	Gnd	Power common

Table 34. User Power connector (12-pos latchlock; unswitched)

PIN	FUNCTION		PIN	FUNCTION
1	Vcc		7	Vcc
2	Gnd		8	Gnd
3	Vpp		9	Vpp
4	Vcc		10	Vcc
5	Gnd		11	Gnd
6	Vpp		12	Vpp

IR Signal and Power

Four connectors provide power and signal for fixed-range IR sensors. A separate connector provides signal path for an additional four IR sensors.

Table 35. IR power and signal connectors (3-pos microfits)

PIN	FUNCTION	DESCRIPTION
1	Vpp	Battery 12 VDC
2	IRn	Switching signal
3	Gnd	Power/signal ground

Table 36. Additional IR connector (8-pos latchlock 0.1 header)

PIN	SIGNAL	DESCRIPTION
1-4	IR4-7	IR signals
5-8	GND	Signal common

Appendix C

SPECIFICATIONS

	Pioneer 3-DX	Pioneer 3-AT	Performance PeopleBot
Physical Characteristics			
Length (cm)	44.5	50.1	47
Width (cm)	39.3	49.3	38
Height (cm)	23.7	27.7	124
Clearance (cm)	6.0	8.4	3.5
Clearance bumpers (cm)	3.5	5.4	3.5
Weight (kg)	9	14	21
Payload (kg)	25	40	11
Power			
Batteries 12VDC lead-acid	3	3	3
Charge (wtt-hrs)	252	252	252
Run time (hrs)	8-10	4-6	8-10
with PC (hrs)	3-4	2-3	3-4
Recharge time hr/battery std charger	6	6	6
High-Speed (3 batteries)	2.4	2.4	2.4
Mobility			
Wheels	2 foam-filled	4 pneumatic	2 foam-filled
tread	knobby	wave	knobby
diam (mm)	195.3	220	195.3
width (mm)	47.4	75	50
Caster (mm)	75	na	75
Steering	Differential	Skid	Differential
Gear ratio	38.3:1	49.8:1	38.3:1
Swing (cm)	26.7	34	33
Turn (cm)	0	0	0
Translate speed max (mm/sec)	1,400	700	900
Rotate speed max (deg/sec)	300	140	150
Traversable step max (mm)	20	89	15
Traversable gap max (mm)	89	127	50
Traversable slope max (grade)	25%	40%	11%
Traversable terrains	Wheel-chair accessible	Unconsolidated. No carpets!	Wheel-chair accessible

Appendix C: Specifications

Sensors	Pioneer 3-DX	Pioneer 3-AT	Performance PeopleBot
Sonar Front Array (one each side, six forward @ 20° intervals)	8	8 optional	8
Rear Sonar Array (one each side, six rear @ 20° intervals)	8 optional	8 optional	8
Top Deck Sonar (one each side, six forward @ 20° intervals)	na	na	8
Rear Deck Sonar (one each side, six forward @ 20° intervals)	na	na	8 optional
Encoders (2 ea) counts/rev	76,600	34,000	76,600
counts/mm	128	49	128
counts/rotation	33,500	22,500	33,500
Bumpers	Optional	Optional	Standard
Controls and Ports			
Main Power	Standard	Standard	Standard
Charge	Standard	Standard	Standard
Joydrive	Optional	Standard	Standard
Motor Stop	Optional	Standard	Standard
Aux1 Power	5 & 12 VDC sw'd	5 & 12 VDC sw'd	5 & 12 VDC sw'd
Aux2 Power	5 & 12 VDC sw'd	5 & 12 VDC sw'd	5 & 12 VDC sw'd
System Serial	Standard	Standard	Standard
Motors	Standard	Standard	Standard
Microcontroller Reset	Standard	Standard	Standard

Warranty & Liabilities

Your MobileRobots platform is fully warranted against defective parts or assembly for one year after it is shipped to you from the factory. Accessories are warranted for 90 days. Use only MobileRobots authorized parts or warranty void. This warranty also explicitly *does not include* damage from shipping or from abuse or inappropriate operation, such as if the robot is allowed to tumble or fall off a ledge, or if it is overloaded with heavy objects.

The developers, marketers and manufacturers of MobileRobots products shall bear no liabilities for operation and use of the robot or any accompanying software except that covered by the warranty and period. The developers, marketers or manufacturers shall not be held responsible for any injury to persons or property involving MobileRobots products in any way. They shall bear no responsibilities or liabilities for any operation or application of the robot, or for support of any of those activities. And under no circumstances will the developers, marketers or manufacturers of MobileRobots products take responsibility for support of any special or custom modification to MobileRobots platforms or their software.



19 Columbia Drive
Amherst, NH 03031
(603) 881-7960
(603) 881-3818 fax
<http://www.MobileRobots.com>